



ELEVATOR CAB  
RENOVATIONS™

+



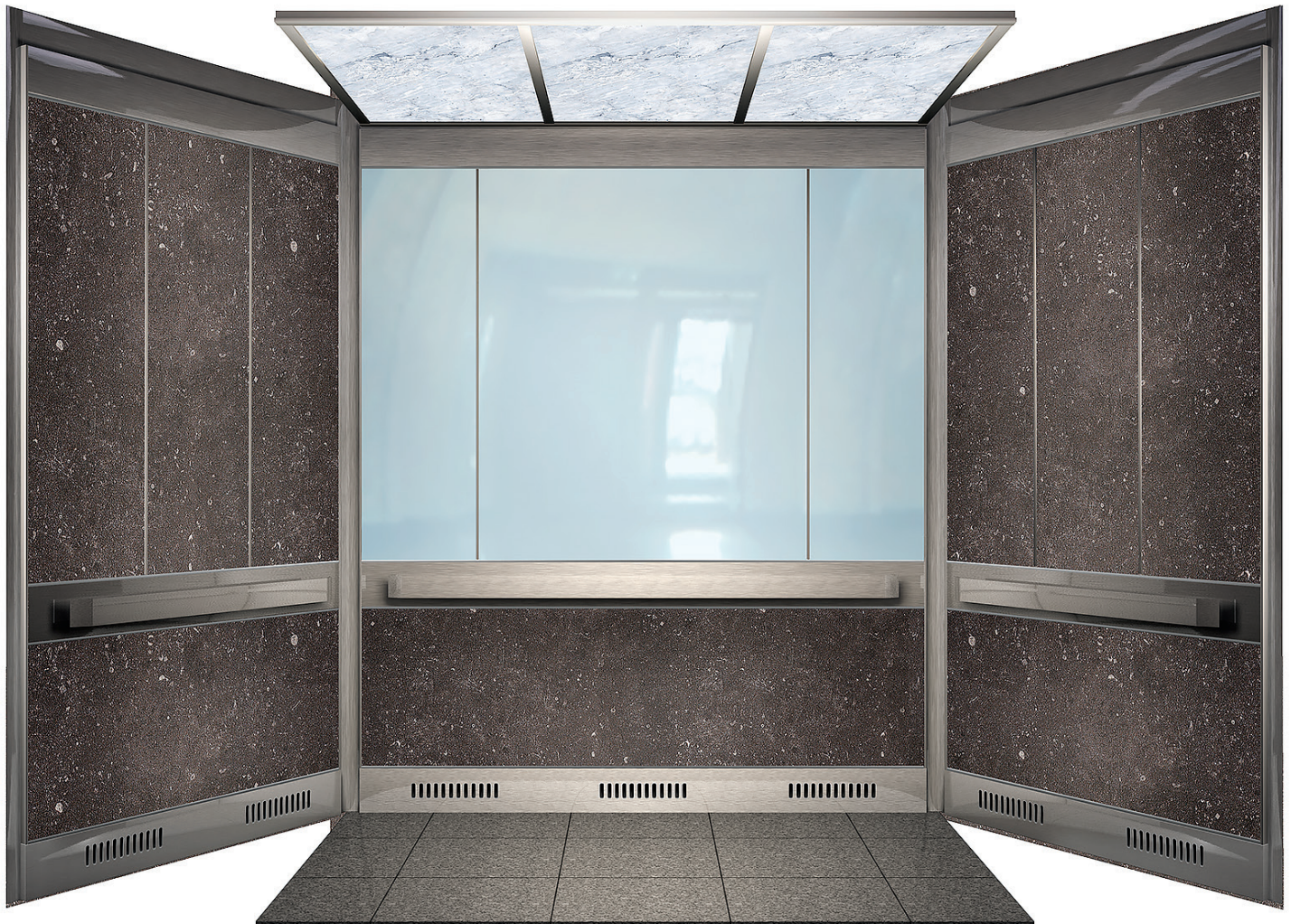
ELEVATOR  
INTERIORS  
& FIXTURES

# A-look™

PANEL FITMENT SYSTEM

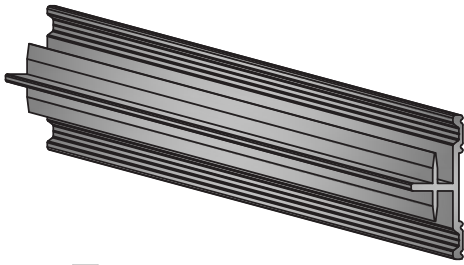
MODEL:  
NOTTING HILL  
VICTORIA PARK  
FITZROY  
AVALON

## INSTALLATION INSTRUCTIONS

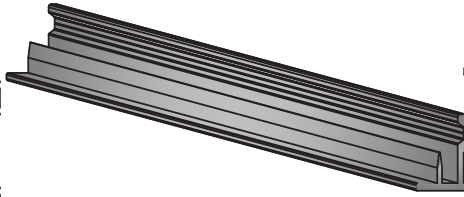


# CAB COMPONENTS TO BE INSTALLED

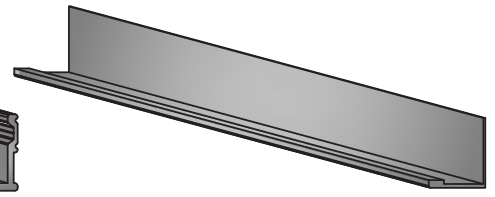
A-Look Panel Interlock



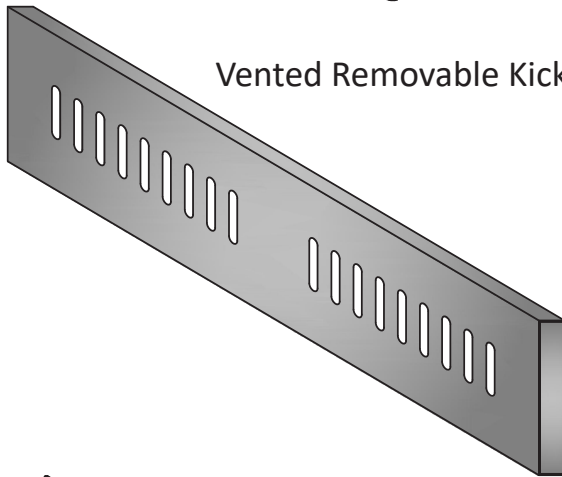
Half Panel Interlock (starter strip)



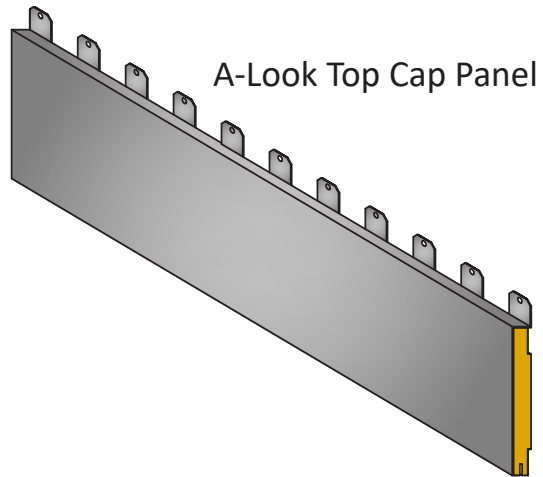
A-Look Panel Edge



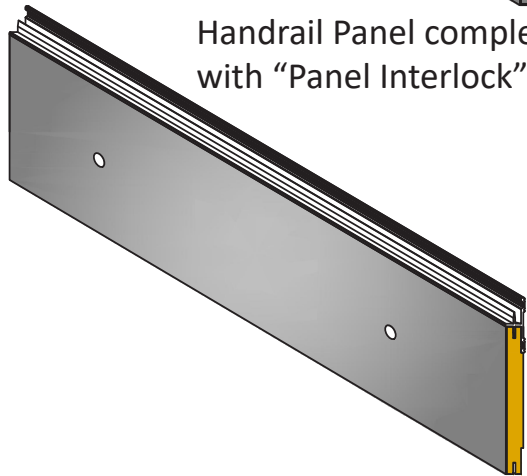
Vented Removable Kick Plate



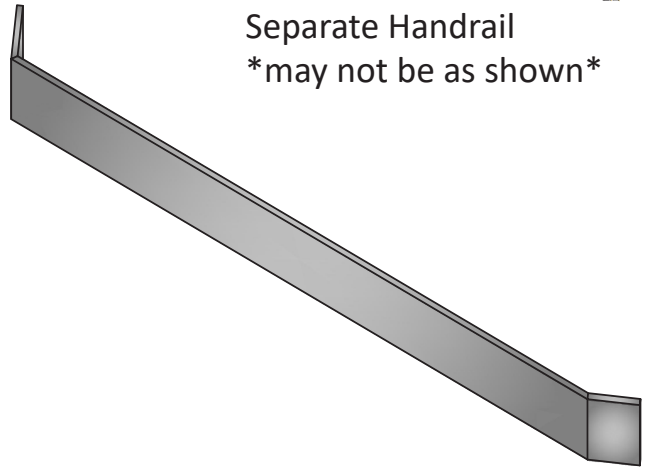
A-Look Top Cap Panel



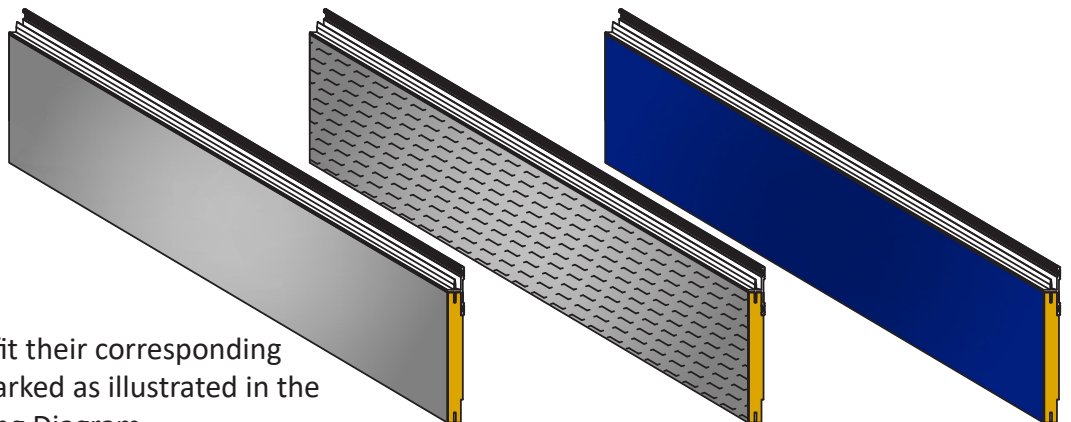
Handrail Panel complete with "Panel Interlock"



Separate Handrail  
\*may not be as shown\*



Several panels complete with "panel interlock", covered in plastic laminate, mirror, or decorative metal.

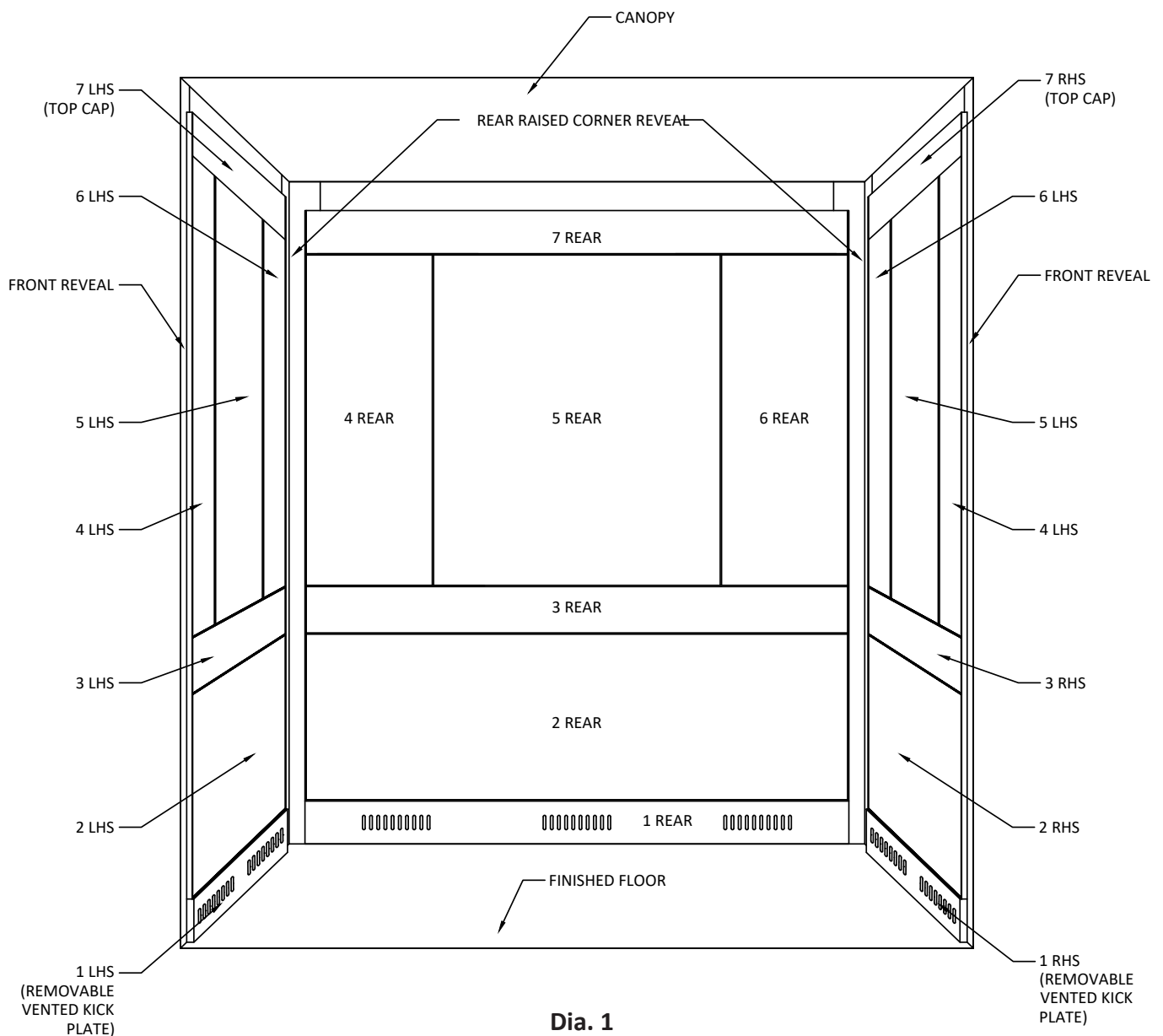


Pieces are pre-sized to fit their corresponding wall. All parts will be marked as illustrated in the Cab Component Labelling Diagram.

## TOOLS REQUIRED

- Measuring Tape
- Drill
- Frame Square
- Ladder
- 2" or 3" Paint Brush for Latex Paint
- Rivet Gun

## CAB COMPONENT LABELLING



## SECTION 1: UNPACKING

- 1.1. When your new A-Look™ cab arrives, transport it near to the cab you will be renovating and organize the crates so that they will be easily accessible.

The crate's contents are itemized on its surface.

One box will be labelled "Open First". It contains the drawings, instructions, hardware & adhesive.

- 1.2. Carefully un-crate the cab package, making sure that none of the components are damaged.
- 1.3. Check the colours, features, and dimensions of the components against your order before you begin removing the existing elevator interior.
- 1.4. Note the labelling on the components on the previous page. The labels indicate the order in which the components will be installed and will help you identify the correct component called for in the instructions.

If you have any questions at this point, contact ECR before going ahead with any part of the installation.



**Note: The interlock extrusions are not attached to the panels. The extrusions are designed to be removed should the panels need to be reversed.**



**Warning: Do not lift the panels by the extrusions.**

For technical support on the A-Look Panel installation, please contact us at:

**Elevator Cab Renovations**  
Office: (613) 745-4870  
Toll Free: 1-877-745-4870  
ecr@elevatorcabs.ca

Office Hours : 6:30 AM to 3:30 PM Eastern Standard Time

## SECTION 2: PREPARE SITE FOR INSTALLATION

- 2.1. Remove all materials being replaced from the existing cab, stripping the cab down to the bare shell. Clean any debris and oil from the cab shell.
- 2.2. If the drop ceiling is being replaced, paint the perimeter of the canopy 4" in from all sides with matte black latex paint (paint is not included). The remainder of the canopy will not be visible once the new ceiling is installed.
- 2.3. If the floors are being replaced, remove existing floor and install new flooring before installing the A-Look panels. If the floors are not being replaced, use a protective covering to prevent damage to the floor.

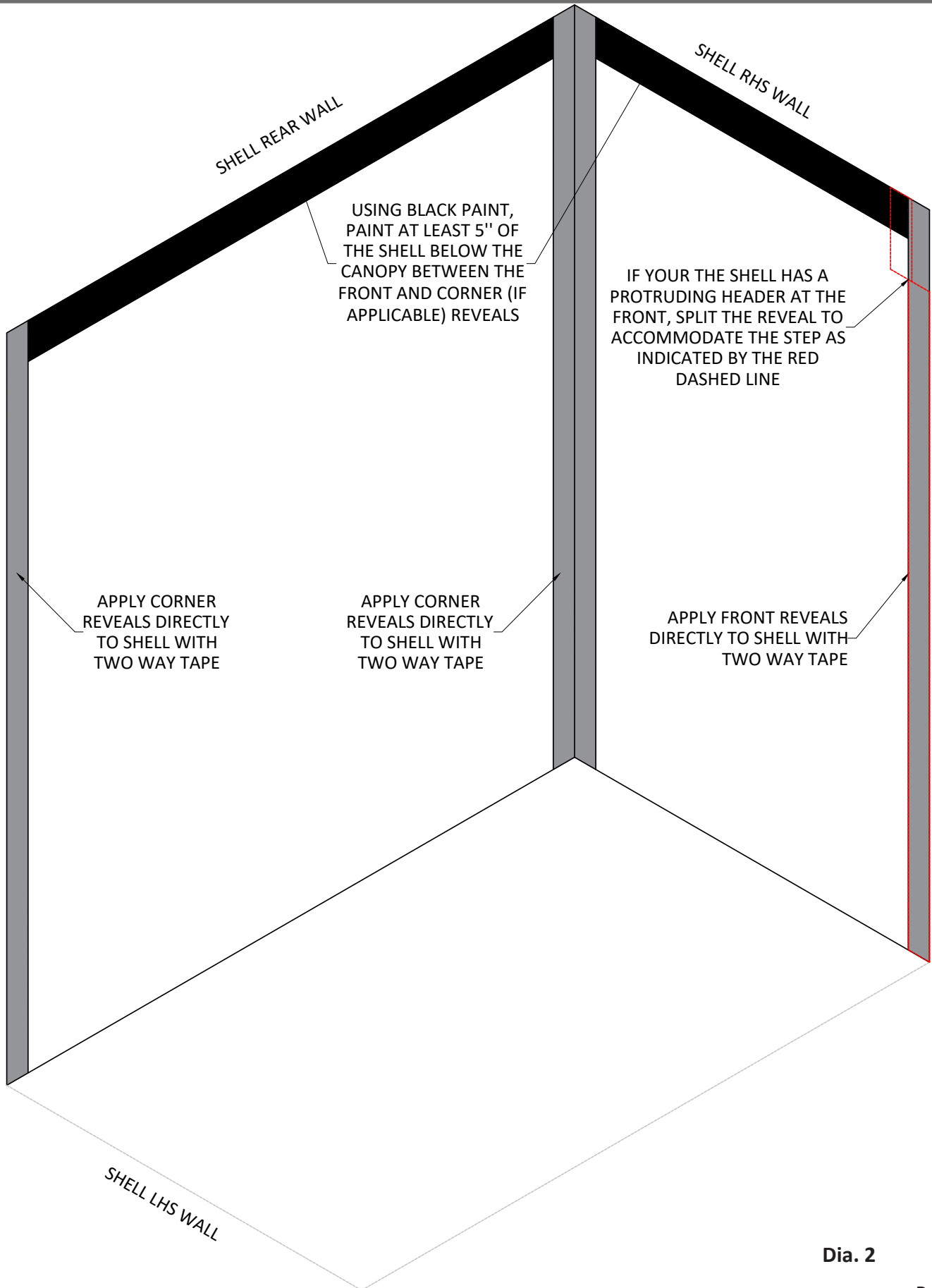
## SECTION 3: INSTALL CAB REVEALS

- 3.1. Dry fit the front and rear corner reveals and trim reveals as necessary. Reveals can be up to 1/4" short of the canopy without affecting the final look of the cab (Dia. 2).
- 3.2. If your shell has a protruding header, split the reveal where the step occurs and fit the remaining reveal piece against the step as indicated by the red dashed line (Dia. 2).
- 3.3. Apply the supplied 2-sided tape to the back side of reveals.
- 3.4. Starting at the bottom press the reveals onto the cab shell, ensuring a tight fit against the corners and flush to the floor. Apply pressure to ensure the reveal adheres to the cab shell.
- 3.5. A drop ceiling will block the canopy from view; if your cab has a drop ceiling, or a drop ceiling was purchased, paint the shell walls below the canopy and between the reveals with matte black latex paint (not included). The top cap normally sits 4 inches below the canopy; paint at least 5 inches below the canopy (Dia. 2).
- 3.6. If the top cap will be visible, stainless steel horizontal reveals will be included. Fit the reveals tight against the canopy between the corner-corner and corner-front reveals, trimming if necessary. Apply the reveals to the shell with 2-sided tape.



**Note: It is important to remove the protective plastic from the reveals before continuing the installation. Once the kick plates are installed the protective plastic is difficult to remove.**

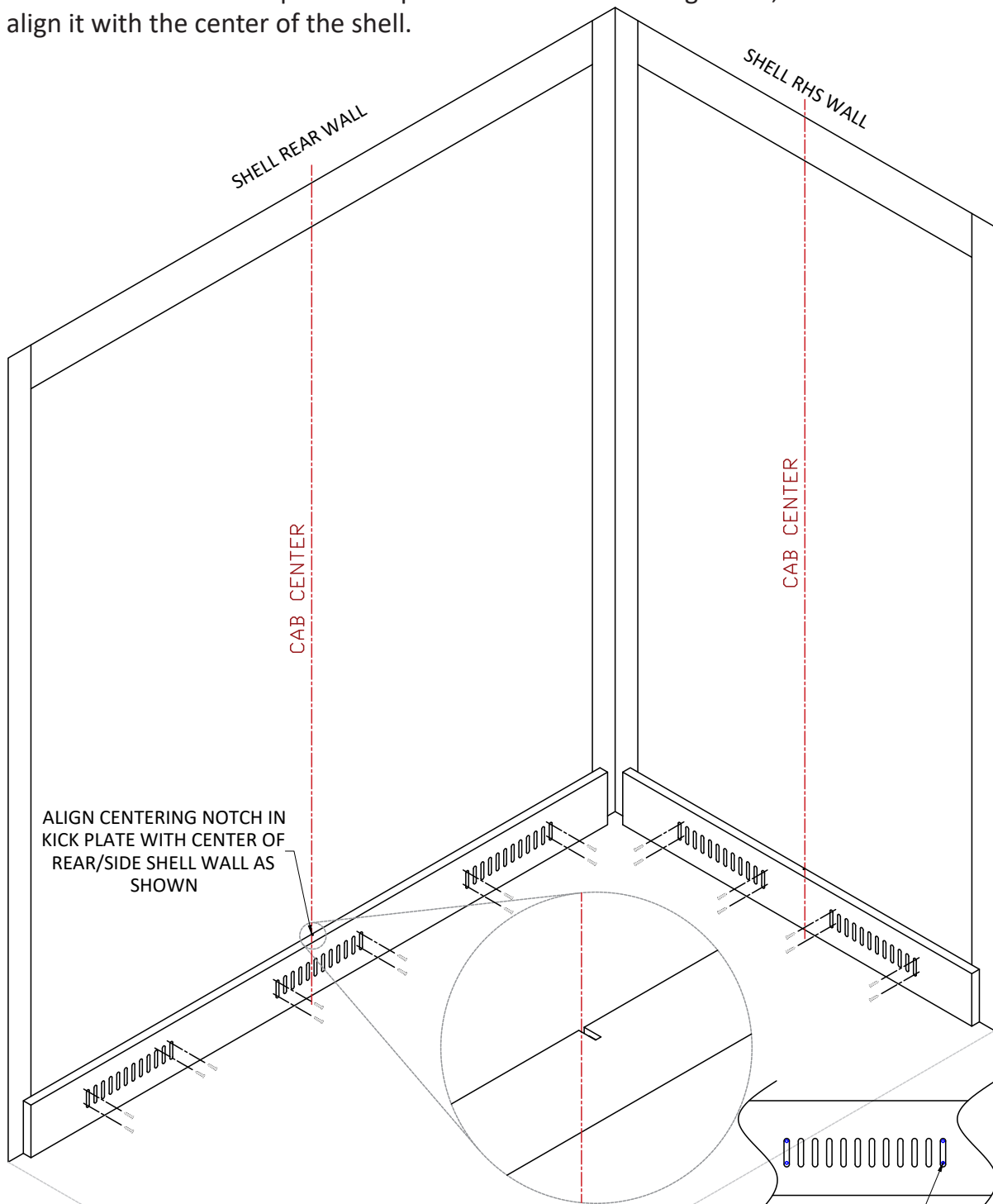
# SECTION 3: INSTALL CAB REVEALS (CONTINUED)



Dia. 2

## SECTION 4: INSTALL A-LOOK PANEL SYSTEM

- 4.1. Measure the width of each wall and determine the center point. Mark a line vertically at this point (Dia. 3).
- 4.2. Removable vented kick plates are provided with a centering notch; locate this notch and align it with the center of the shell.



**Note: The bottom of the kick plate should sit on or slightly above the finished floor. If no floor currently exists, simulate the finished floor height with an appropriate build out or shims before installing kick plates.**

KICK PLATE IS SECURED TO SHELL WITH FASTENERS AS SHOWN; LOCATE FASTENER HOLES IN VENTS, TIGHTEN FASTENERS UNTIL KICK PLATE RESTS FIRMLY AGAINST SHELL

**Dia. 3**

## SECTION 4: INSTALL A-LOOK PANEL SYSTEM ( CONTINUED)

- 4.3. Center the kick plate on the back wall and fasten the kick plate to the wall using the mounting holes located inside the vent slots with tap screws provided (Dia. 3).

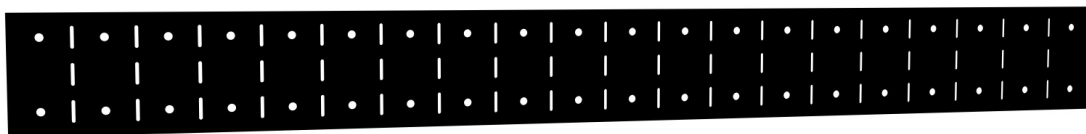


**Note:** At this point it is crucial to check that kick plates are square to adjacent walls and ensure that all kick plates are the same height on all three non-access walls before installing the panels.



**Note:** It is important to remove the protective plastic from the back, top and bottom of the kick plates prior to installation. Once installation is complete these areas are no longer accessible.

- 4.4. If additional vent holes are required, refer to the included **Universal Baffle Strip Installation Manual** for more information and instructions on how to create additional ventilation in the cab shell.



**Dia. 4**  
Universal Baffle Strip.

- 4.5. Install the half panel interlock that is used as the starter strip. It will be pre-drilled with mounting holes; place it centered on top of the kick plate. The “half extrusion” will be 1/8” shorter than the kick plate on each end. Repeat these steps for the side wall kick plates (Dia. 5).
- 4.6. Insert panel edges behind the half extrusions so that the 1/8” rounded edge faces into the cab. The panel edge sits on top of the kick plate and should be flush with the kick plate end (Dia. 5). Screw or rivet the panel edge through the half interlock to the wall. Repeat at the other end of the kick plate.



**Note:** In high use cabs apply additional rivets to secure the panel edge to the cab shell. These additional fasteners help the panel edge to remain in place should they be subjected to impact or misuse.



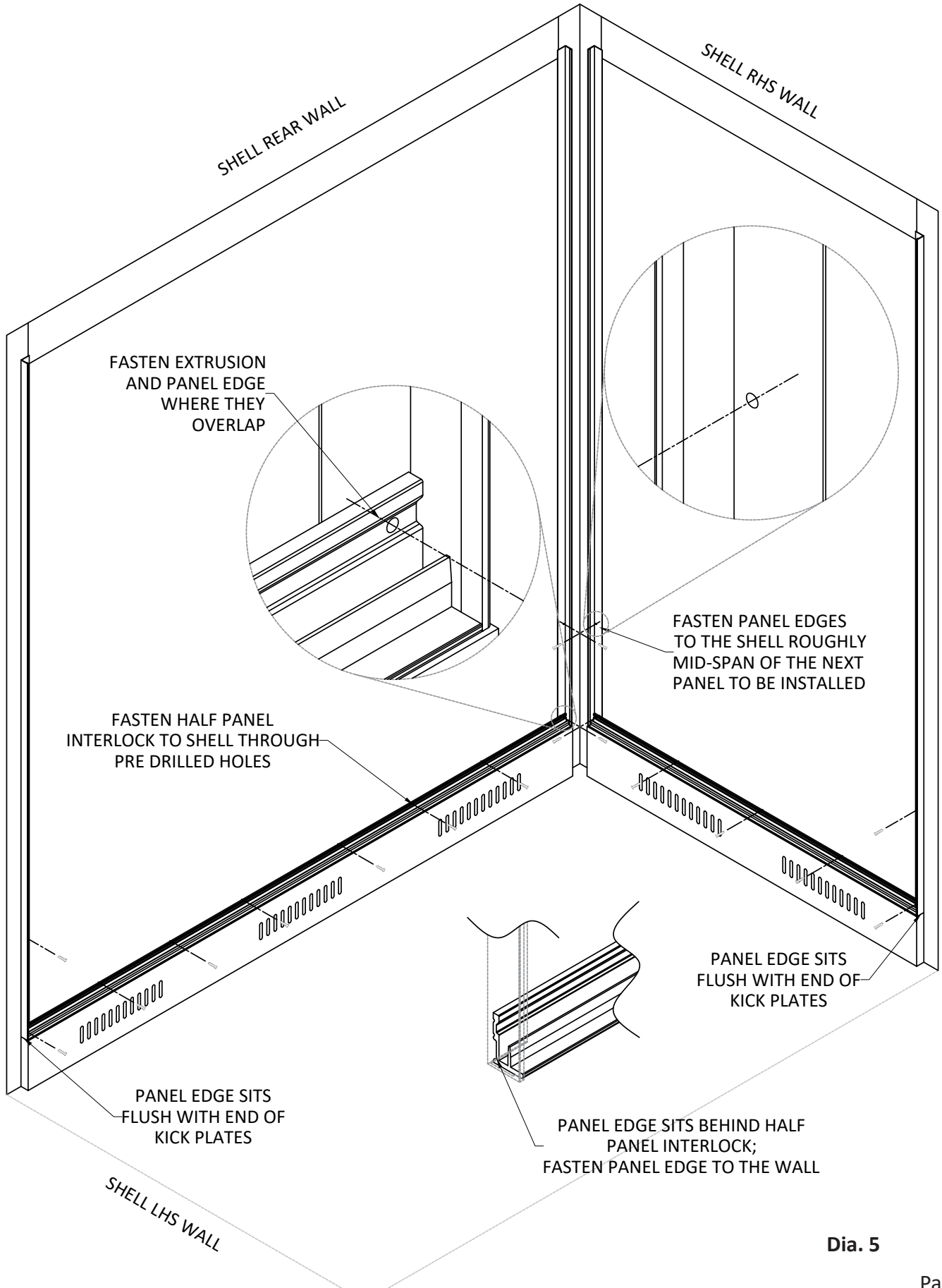
**Note:** The panel interlocks are not attached to the panels. The interlocks are designed to be removed should the panels need to be reversed.



**Warning:** Do not lift the panels by the panel interlocks.



# SECTION 4: INSTALL A-LOOK PANEL SYSTEM ( CONTINUED)



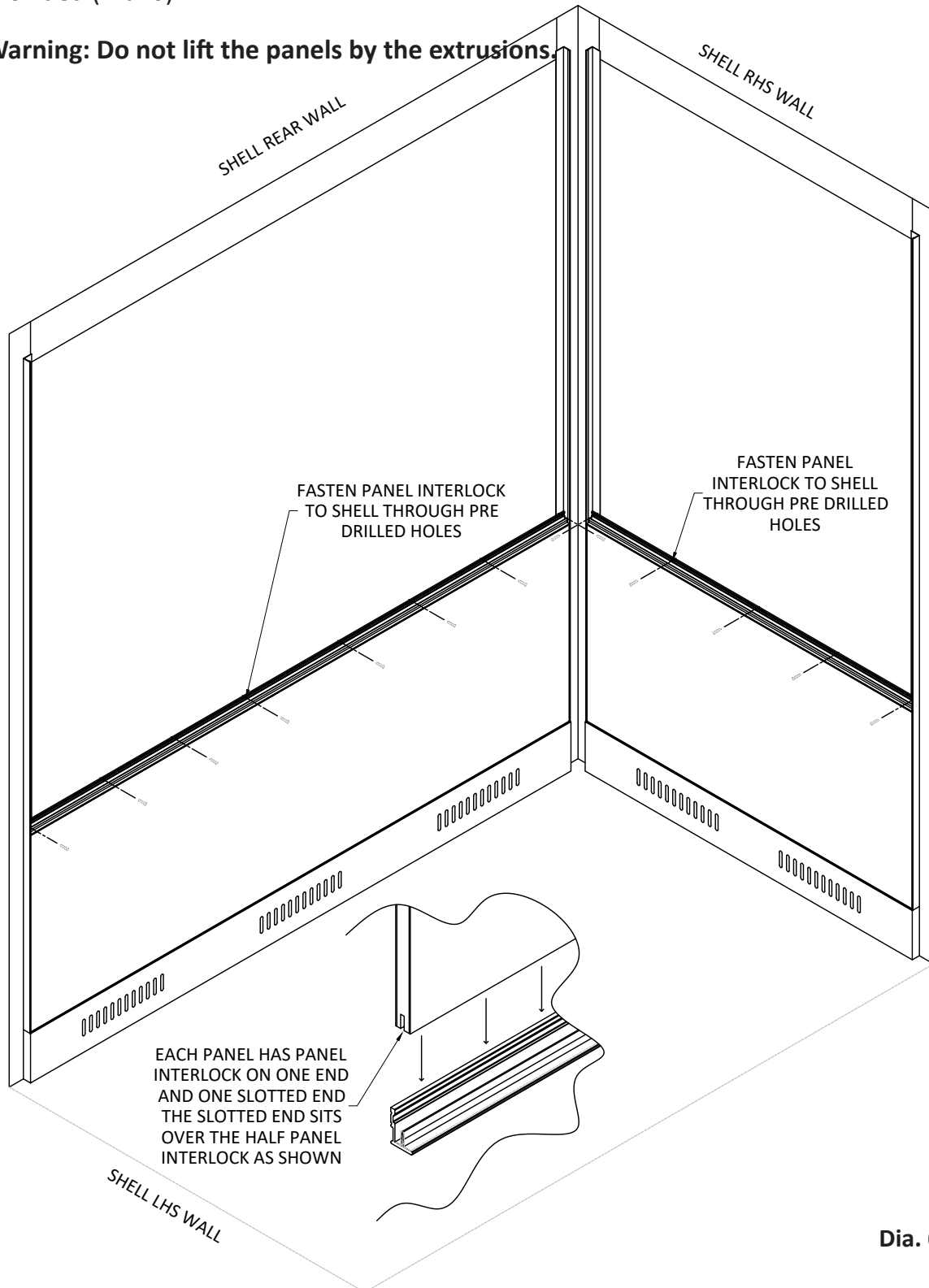
Dia. 5

## SECTION 4: INSTALL A-LOOK PANEL SYSTEM ( CONTINUED)

- 4.7. Locate the next panel to be installed (bottom panels).
- 4.8. Insert the panel into the half panel interlock and fasten panel to the shell wall using center screw holes in panel interlock. Ensure the panel edge sits tight to the ends of the panels and fasten to the shell above the interlock. Finish fastening panel interlock through the holes provided (Dia. 6).

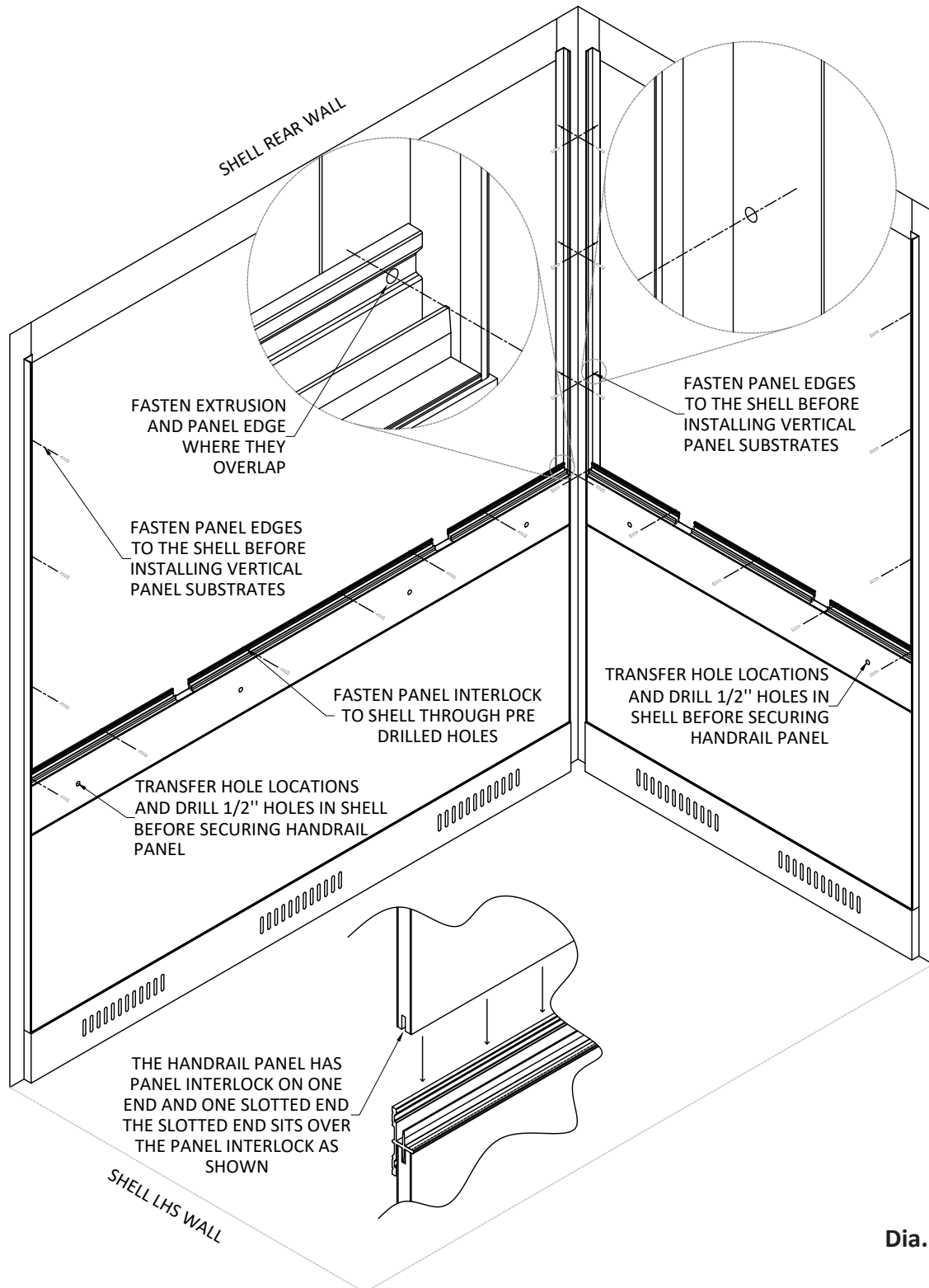


**Warning: Do not lift the panels by the extrusions.**



## SECTION 5: INSTALL HANDRAILS

- 5.1. Temporarily install the handrail panel to transfer the hole locations to the cab shell (Dia. 7).
- 5.2. Remove the handrail panel and drill 1/2" holes into the cab shell as marked on the previous step.
- 5.3. Re-install the handrail panel (the holes should line up).



Dia. 7

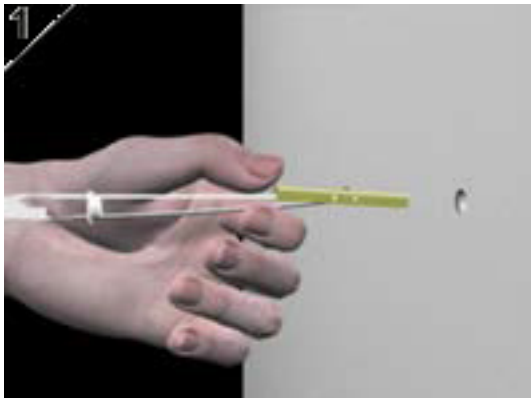
## SECTION 5: INSTALL HANDRAILS (CONTINUED)



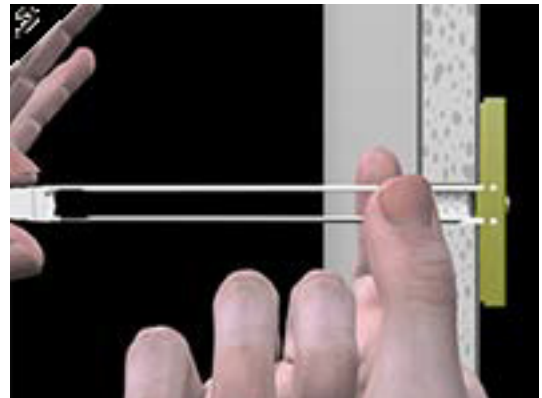
**Note: It is important to remove the protective plastic from the HMP prior to installation. Once the HMPs are installed the protective plastic is difficult to remove.**

- 5.4. Insert and secure the provided togglers through the handrail panel and the shell.
- 5.5. Place the flared end of a stainless steel standoff against the handrail panel, centered on the toggler. Fasten this to the wall and handrail panel with the 1/4"-20 bolts provided.
- 5.6. Slide the inserts into the standoff (inserts are attached to the handrail).
- 5.7. Secure the handrail to the standoff using the set screws provided (Dia. 8).

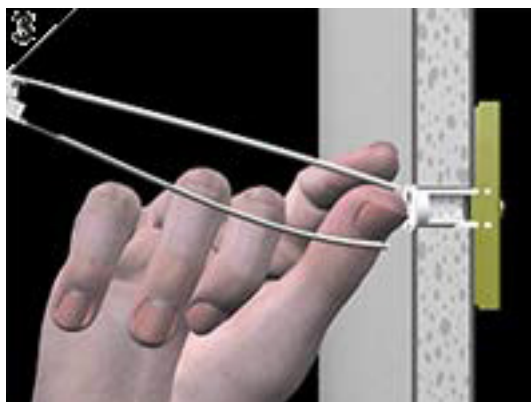
### Installing the Togglers



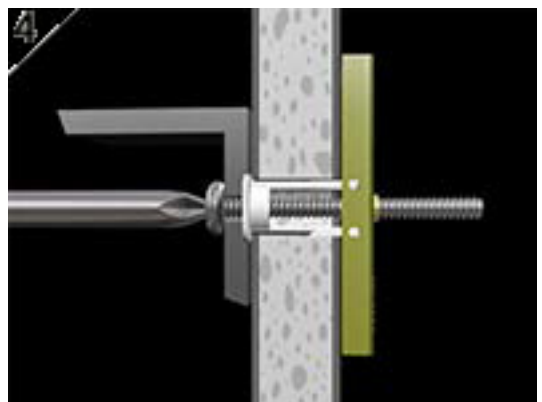
Drill a 1/2" hole. Hold the metal channel flat alongside plastic straps and slide channel through the metal channel through the hole. The minimum clearance behind the wall is 1 7/8".



Hold the ends of straps between thumb and forefinger and pull toward you until channel rests flush behind wall. Slide plastic cap along straps with other hand until flange of cap is flush with the wall.

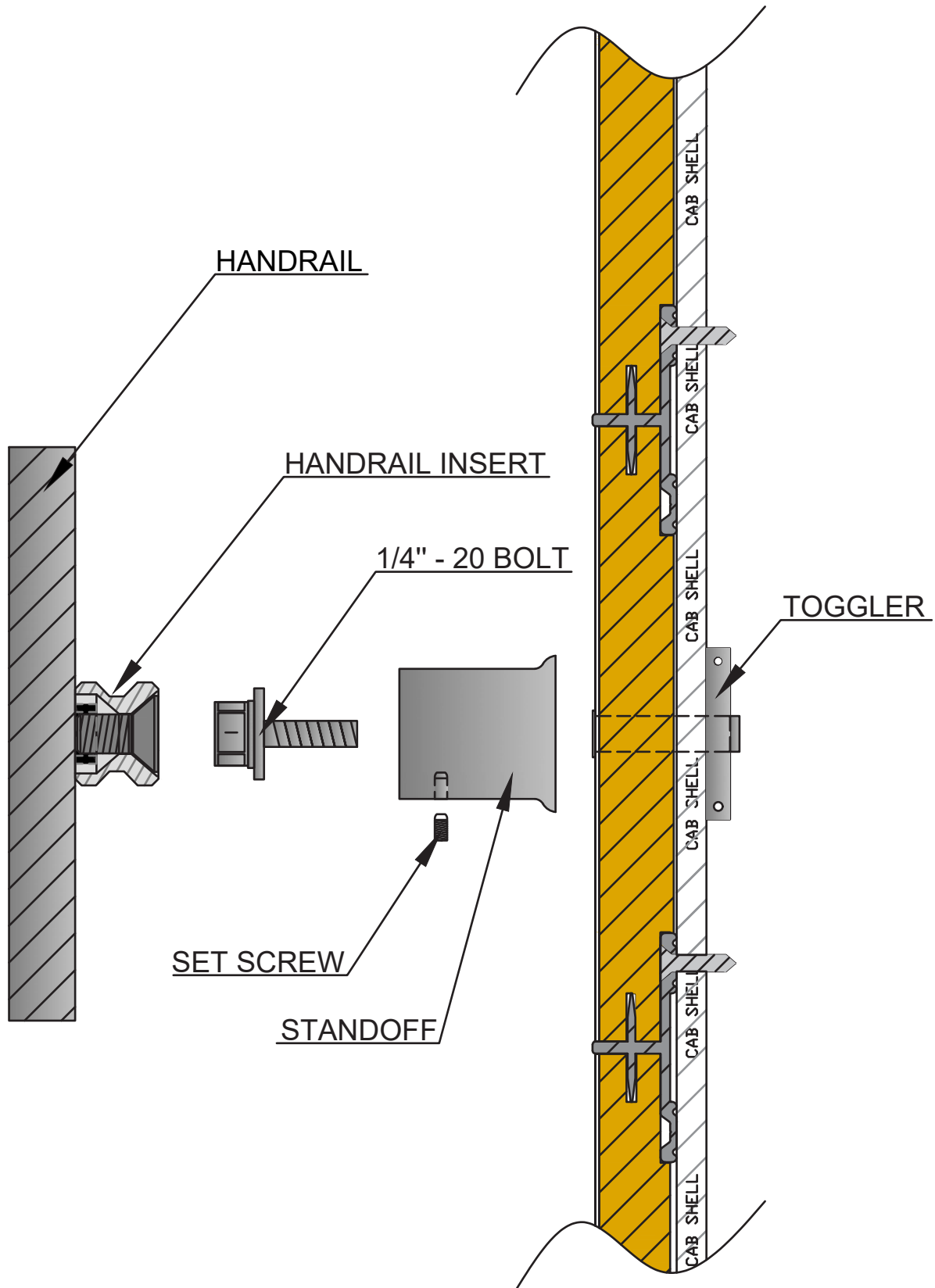


Snap straps at wall by pushing side to side snapping off straps level with flange cap.



Place item over flange. Insert bolt through item and tighten until flush against item.

## SECTION 5: INSTALL HANDRAILS (CONTINUED)

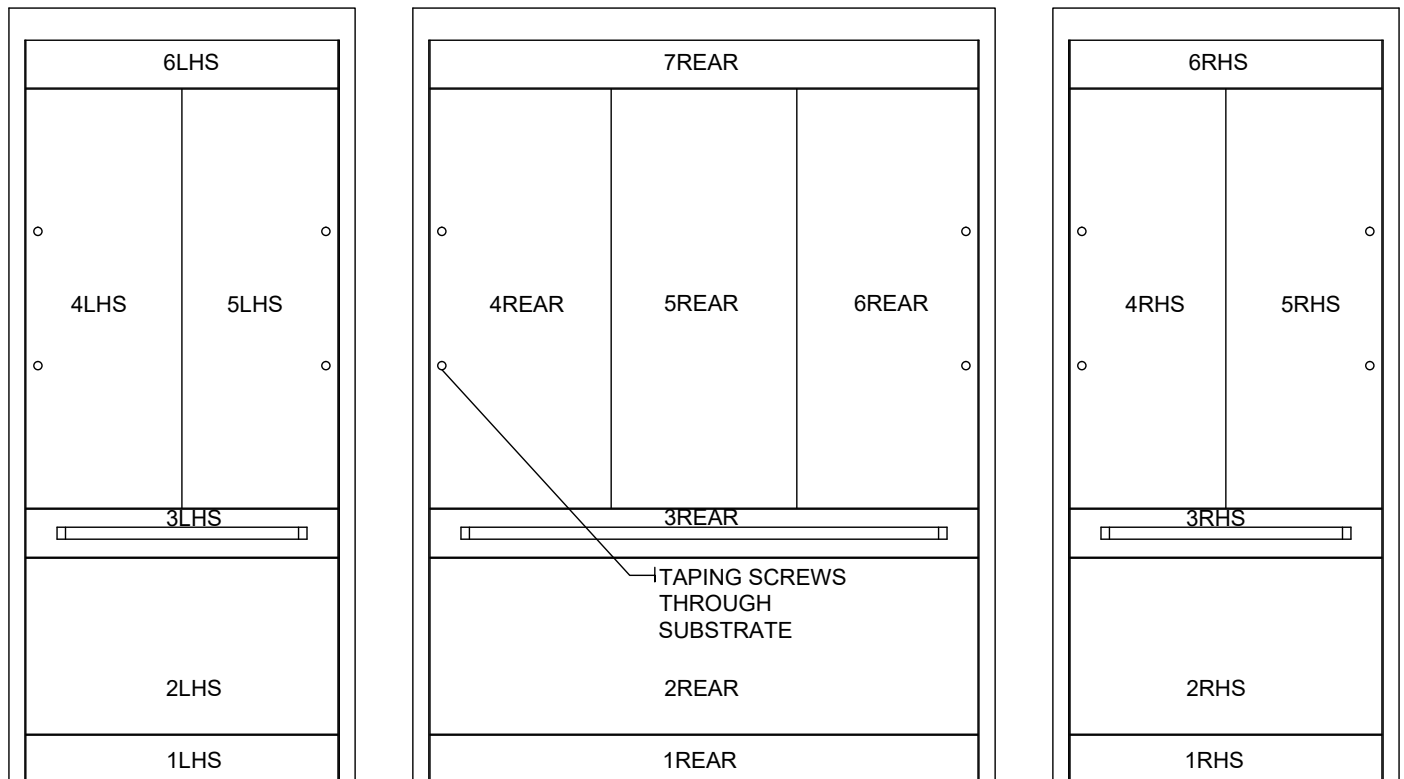


**Dia. 8**

Attaching standoffs to handrail.

## SECTION 6: INSTALLING GLASS VERTICAL PANELS

- 6.1. The panel edge acts to protect the edges of the panels and does not hold panels to the wall. Additional fasteners are required when installing vertical panels to secure the mid-points of the panel and prevent warping (Dia. 9).
- 6.2. The glass/mirror panels are comprised of two parts: the substrate (typically fire rated particle board) and the glass or mirror covering. Laminate panels utilize z-clips to secure the panels; refer to section 7 for install instructions.



**Dia. 9**

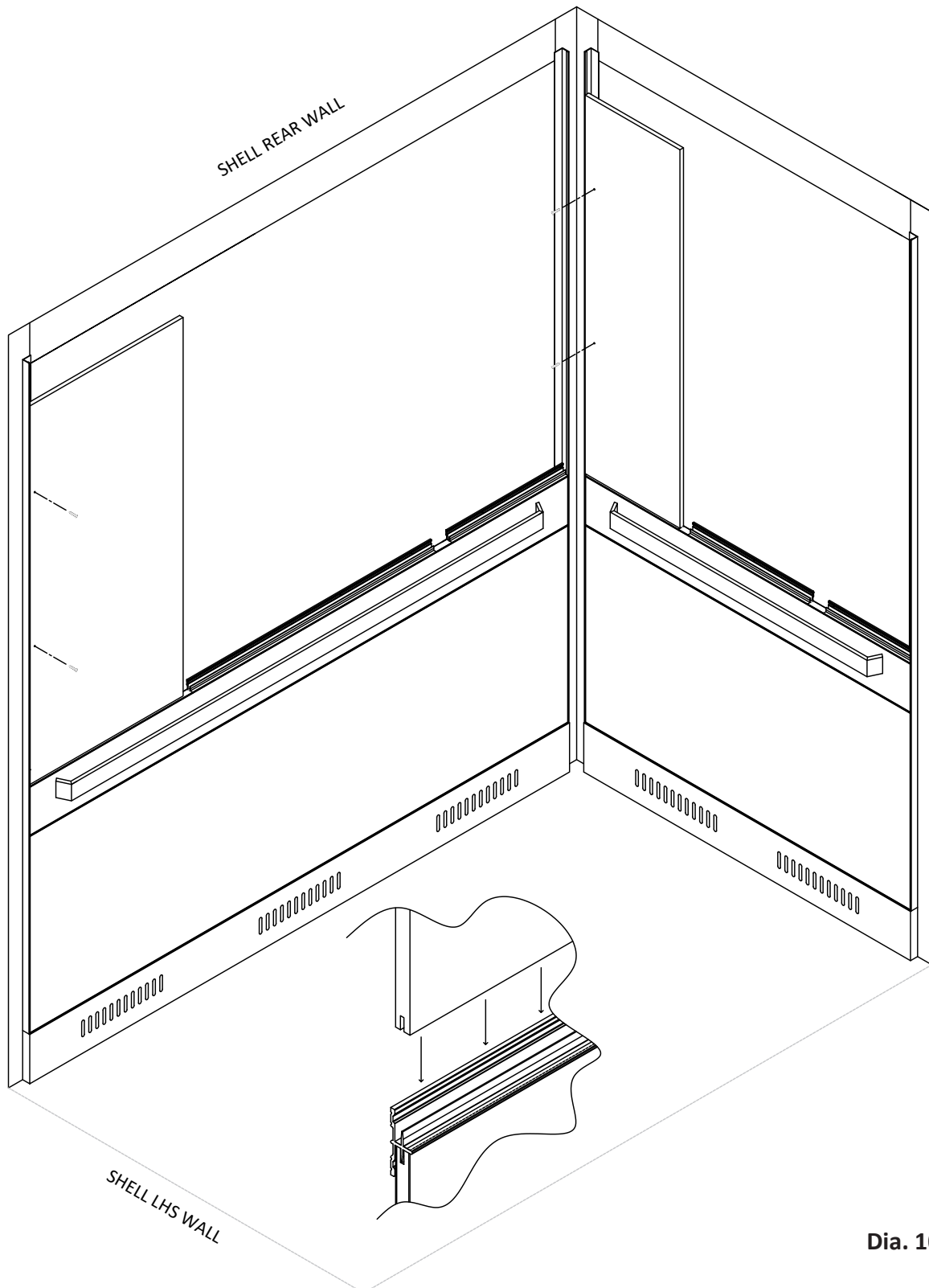
Typical locations of tapping screws.



**Note: the substrate panels come with two-way glazing tape pre installed. The tape is used during the installation of the glass/mirror and will be addressed later in section 9.**

## SECTION 6: INSTALLING GLASS VERTICAL PANELS (CONTINUED)

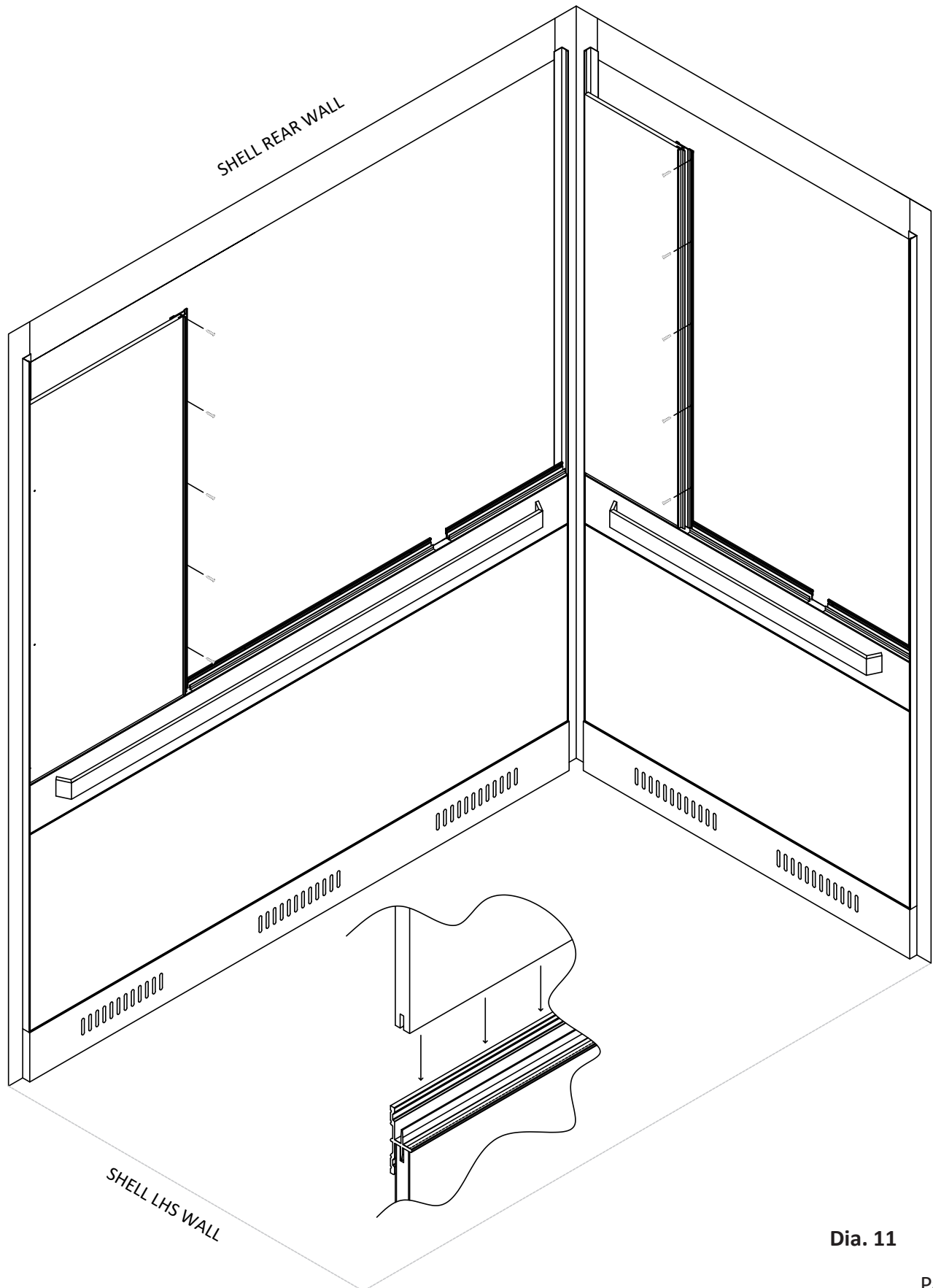
- 6.3. Starting on the rear wall, sit the outside substrate onto the extrusion and shift it so it sits against the panel edge.
- 6.4. Install tapping screws at  $1/3$  and  $2/3$  of the panel height. Ensure to sink screws at least flush with the face of the substrate (Dia. 10).



**Dia. 10**

## SECTION 6: INSTALLING GLASS VERTICAL PANELS (CONTINUED)

6.5. Install the vertical extrusion and fasten it to the shell (Dia. 11).

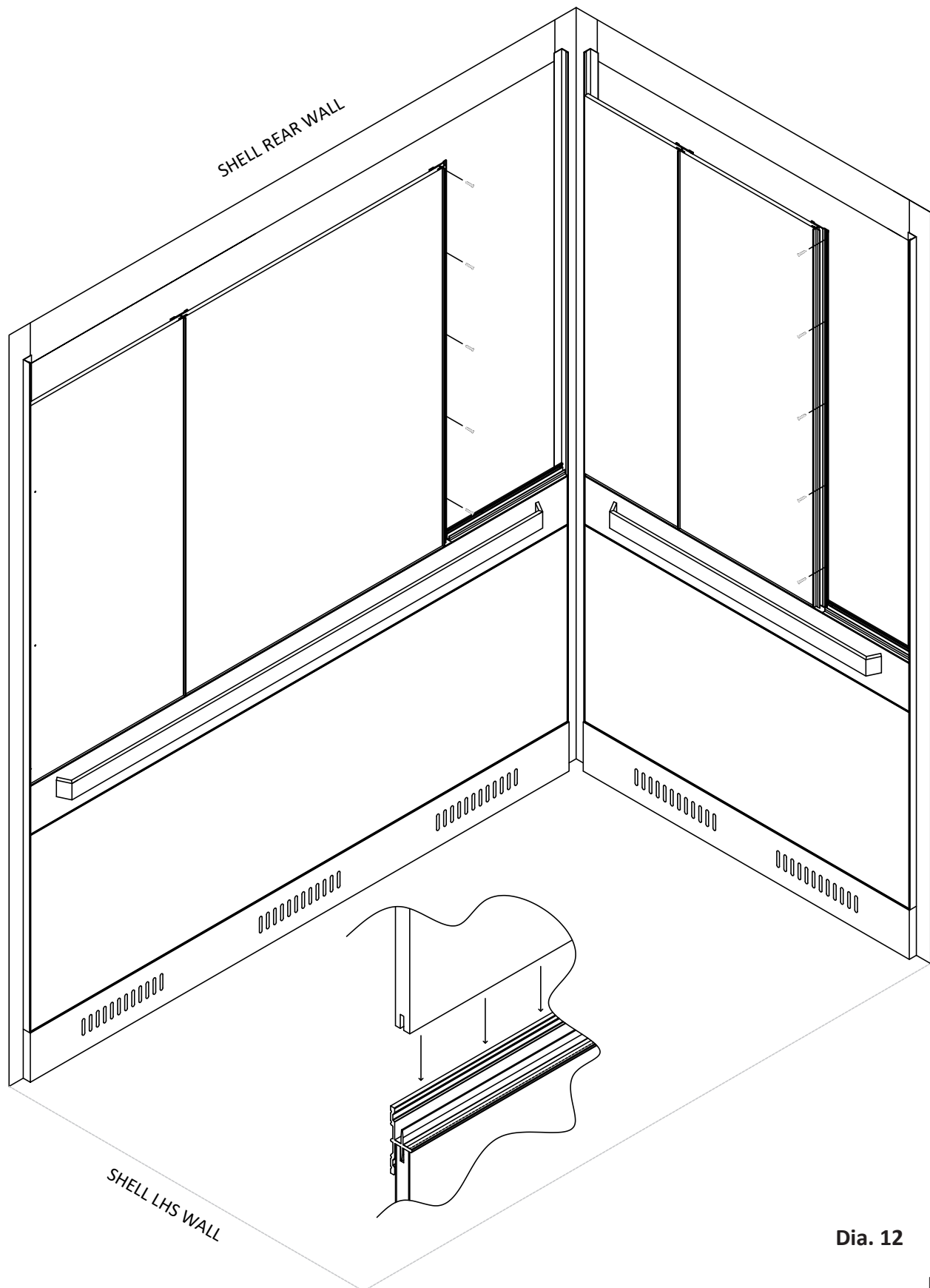


**Dia. 11**



## SECTION 6: INSTALLING GLASS VERTICAL PANELS (CONTINUED)

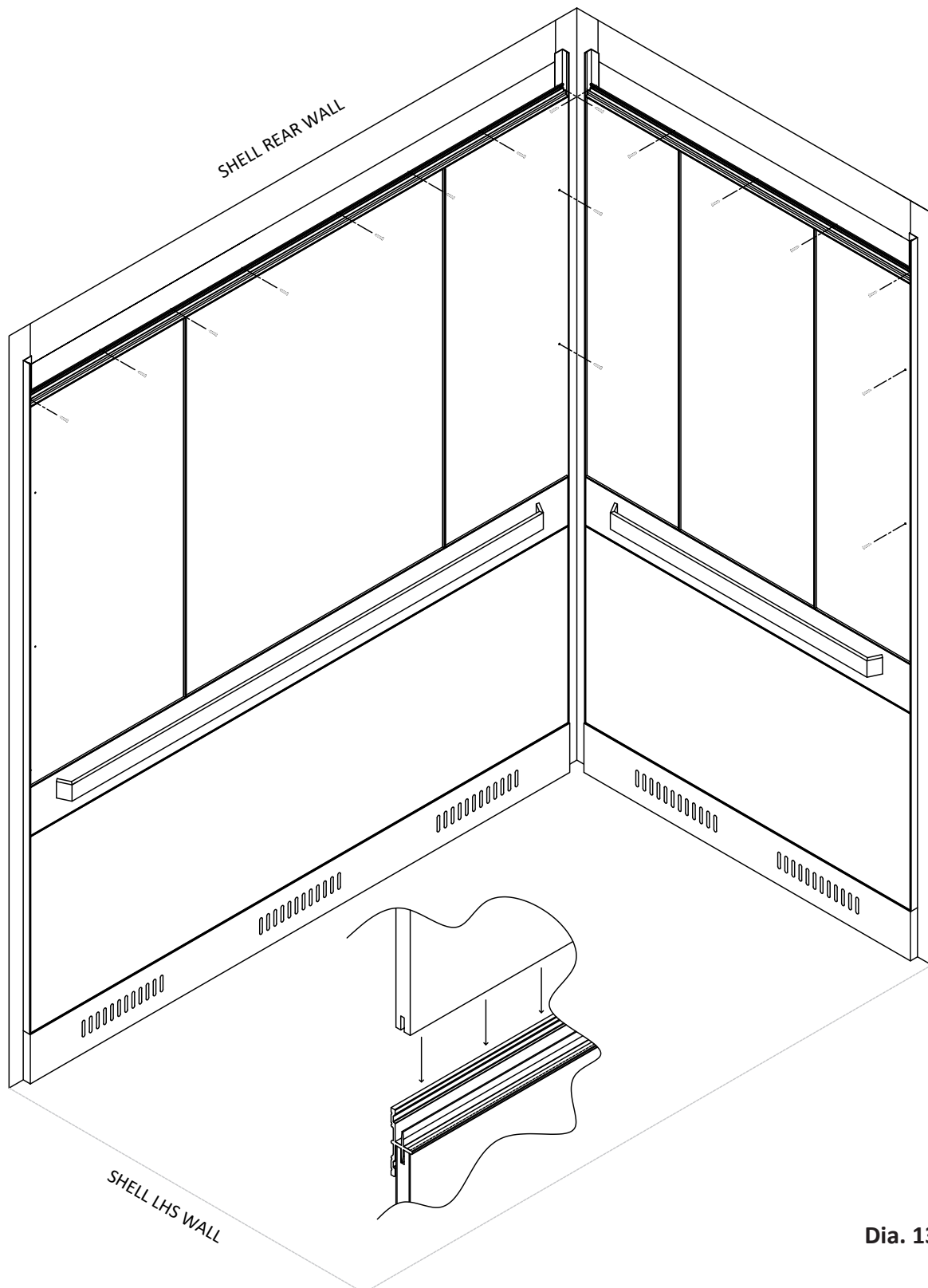
6.6. Install the middle substrates and extrusions (Dia. 12).



**Dia. 12**

## SECTION 6: INSTALLING GLASS VERTICAL PANELS (CONTINUED)

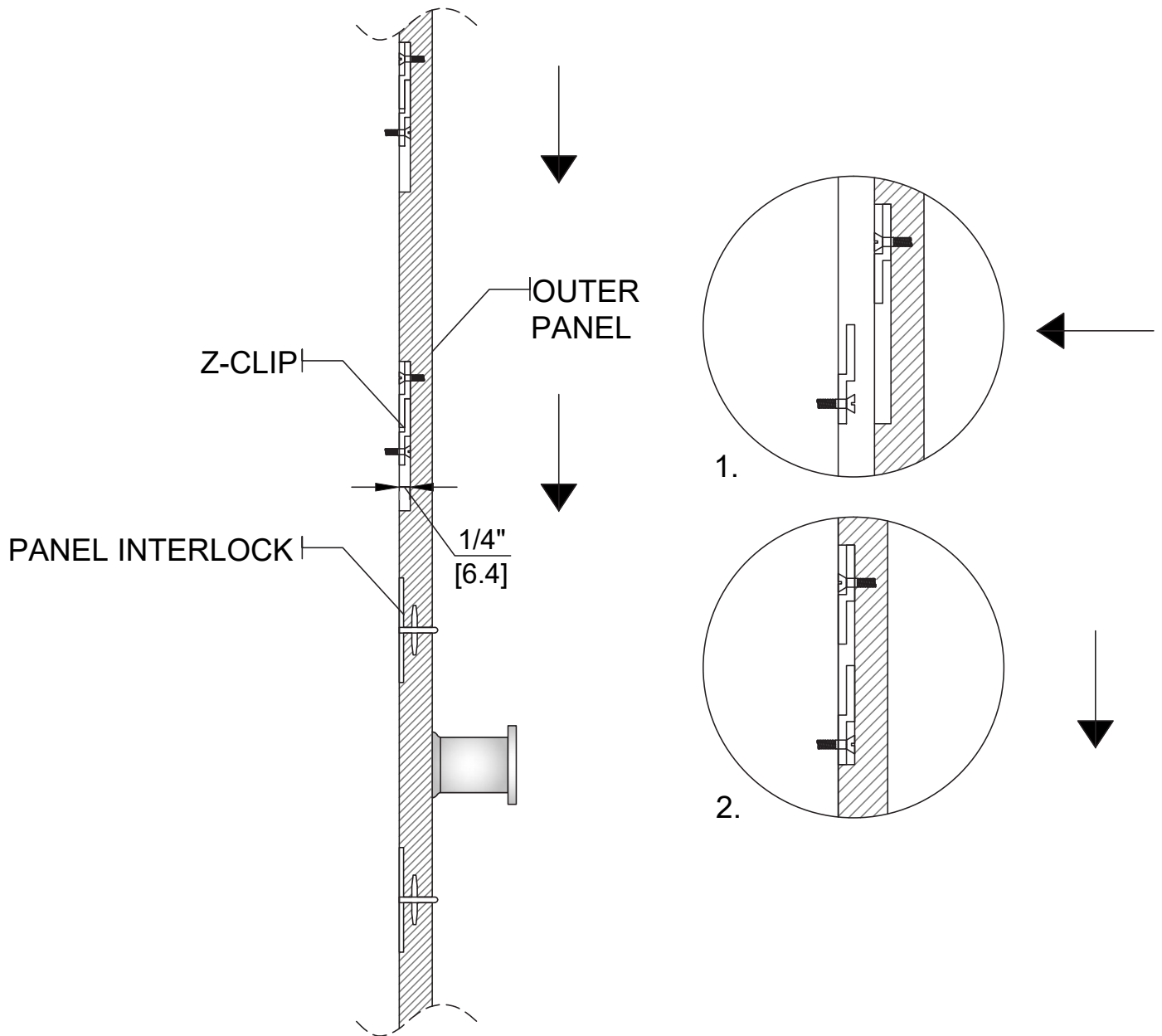
- 6.7. Install the remaining outer panels, ensuring to fasten them along the side closest to the panel edge (Dia. 13).
- 6.8. Continue to install the Top Cap before installing the remaining mirror or glass panels.



**Dia. 13**

## SECTION 7: INSTALLING LAMINATE VERTICAL PANELS

- 7.1. Z-clips are provided if your cab has laminate panels. An illustration is provided to demonstrate the function of the clips (Dia. 14).



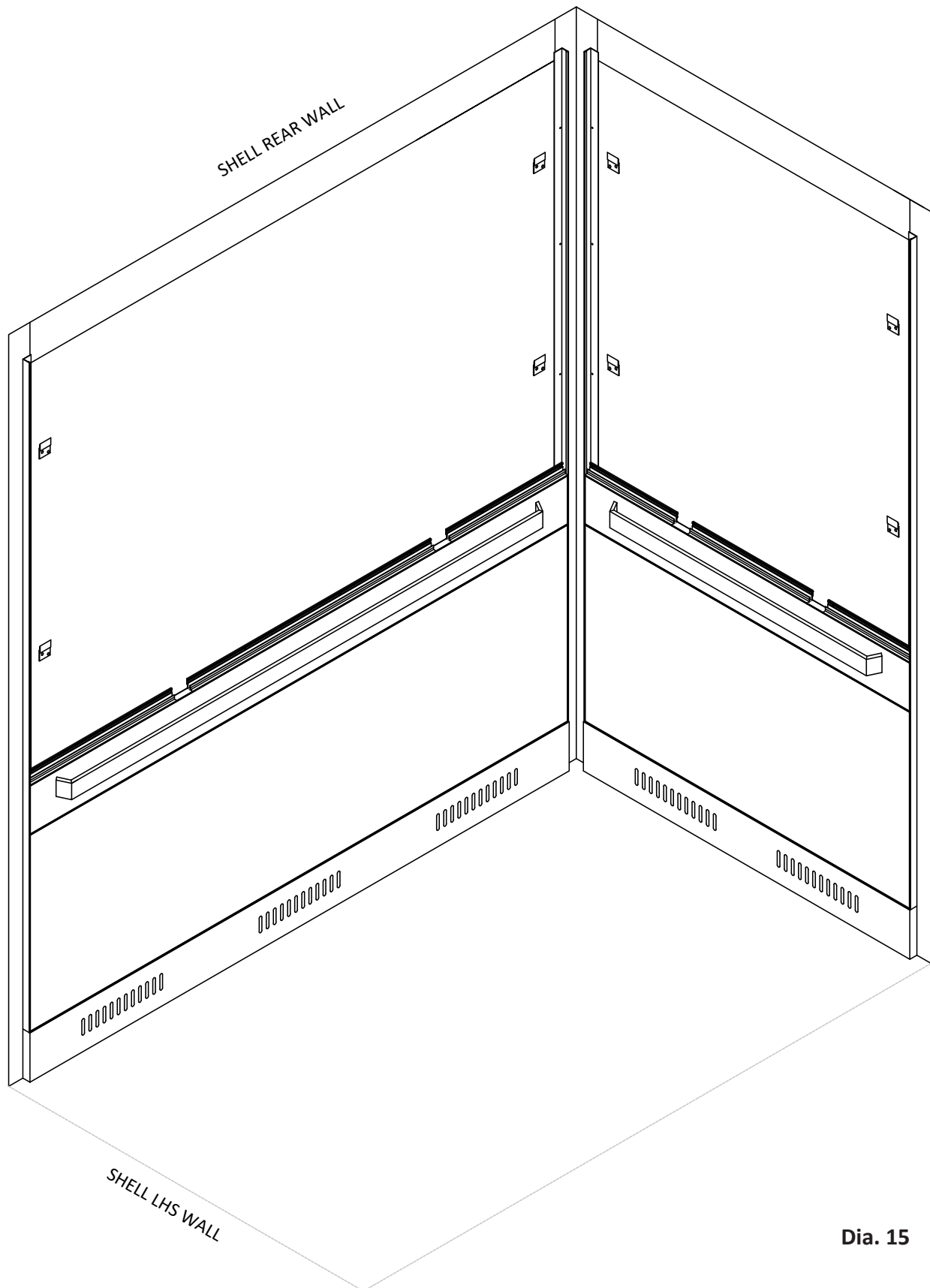
**Dia. 14**

Z-clip fasteners.

- 7.2. The z-clips hold the panels to the wall only and do not need to support the weight of the panel; as such they can be installed with clearance to ensure the panels sit fully into the extrusions (Dia. 14).
- 7.3. On tall cars (those greater than the standard 8') the upper and outer panels have two clips, while the shorter standard cabs may only require one clip per panel.

## SECTION 7: INSTALLING LAMINATE VERTICAL PANELS (CONTINUED)

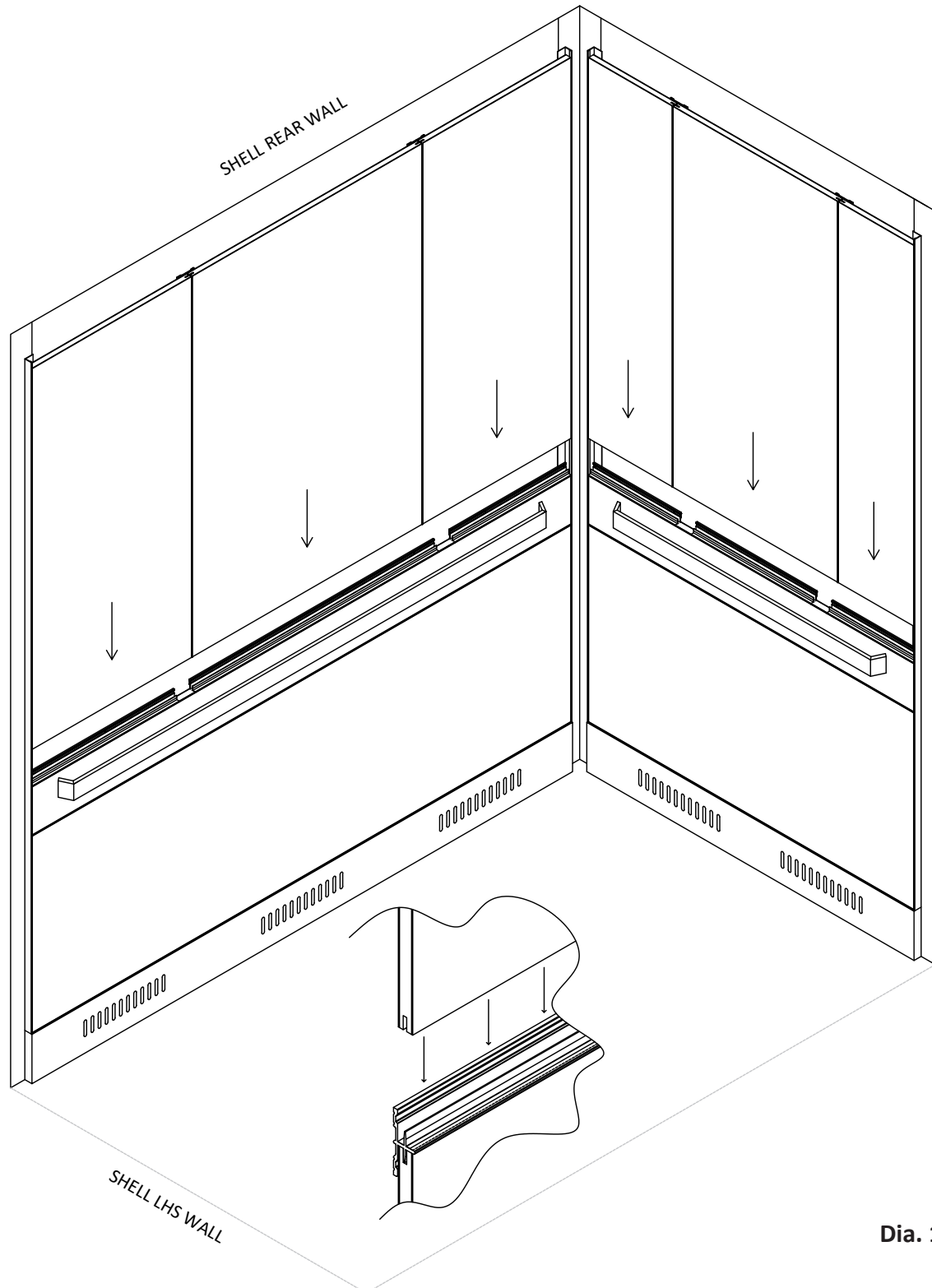
- 7.4. Begin by locating the outer panels with z-clips pre-installed. Determine and install z-clips on the shell to suit the pre-installed location on the panels (Dia. 15).



**Dia. 15**

## SECTION 7: INSTALLING LAMINATE VERTICAL PANELS (CONTINUED)

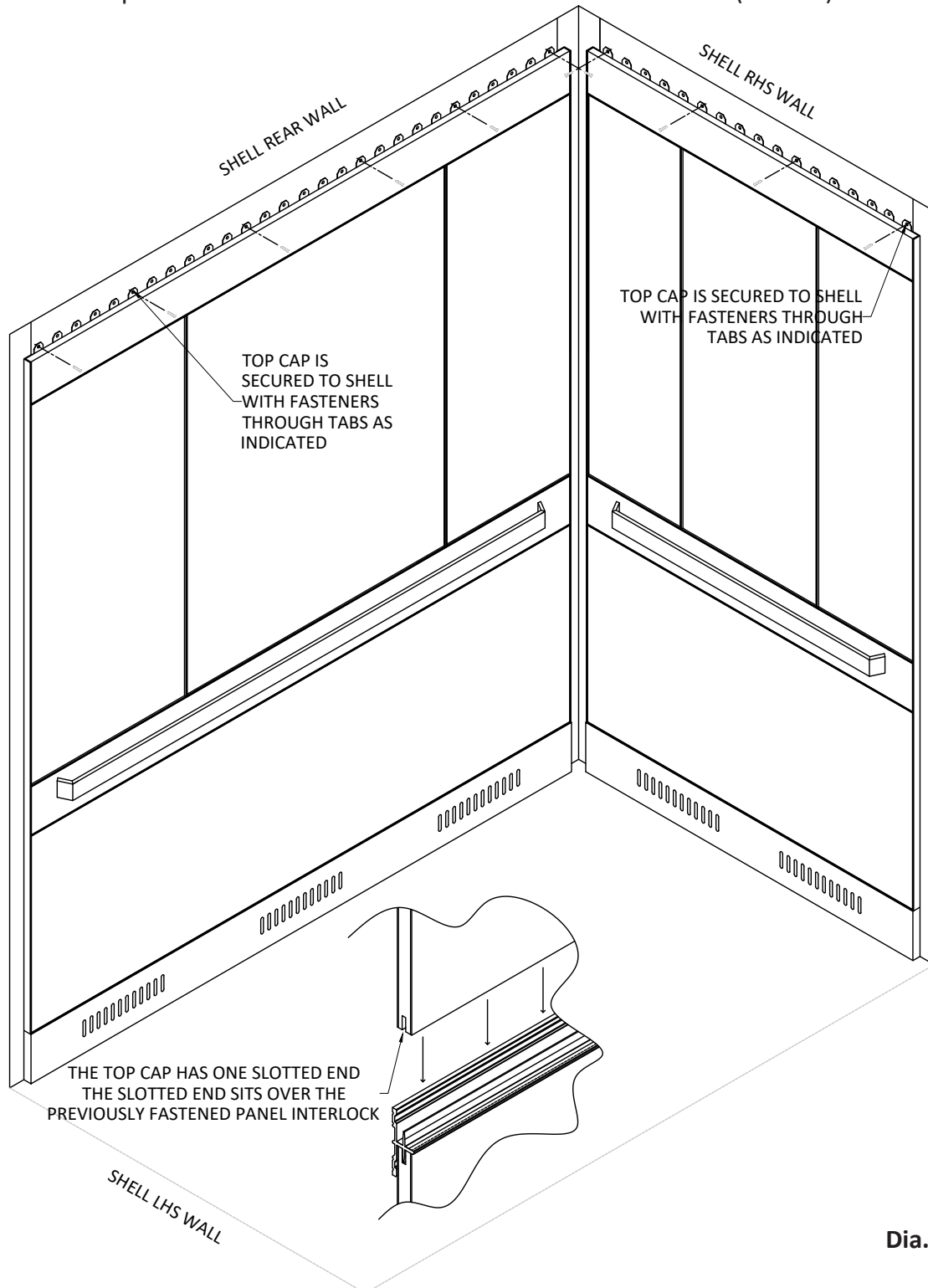
- 7.5. The easiest method to install panels consists of arranging them in their installed configuration, seating them within the panel edges and sliding the assembly down until properly seated on the extrusions and z-clips.
- 7.6. Subsequently install the interlock above the panels as in section 6 (Dia. 13) and install the Top Cap as outlined in the following section.



**Dia. 16**

## SECTION 8: INSTALL TOP CAP PANELS

- 8.1. Before installing the Top Cap ensure the area above the wall finishes has been appropriately addressed (refer to section 3). Leave the plastic covering on the front face to protect the surface during the installation.
- 8.2. Sit the top cap onto the panel interlock, between the panel edges. Drill through the holes in tabs with a 1/8" drill bit into the cab shell. Secure the top cap to the wall using the pan head screws provided. A minimum of 4 screws should be utilized (Dia. 17).



Dia. 17

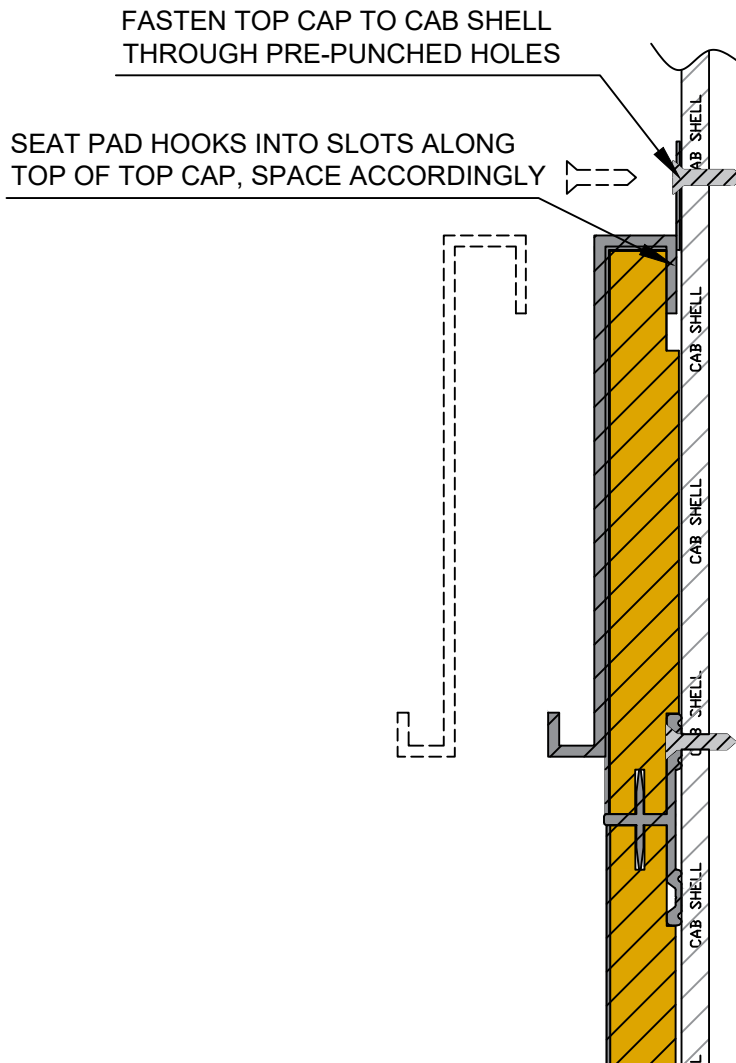
## SECTION 8: INSTALL TOP CAP PANELS (CONTINUED)

- 8.3. If removable pad hooks were purchased, you can now install them by inserting the hook into one of the slots located along the top of the top cap. If button pad hooks were selected, you can install them now (Dia. 18).



**Note:** Refer to the drawings for the pad hook install height. Protective pads are ordered to fit the installed height of the cab pins.

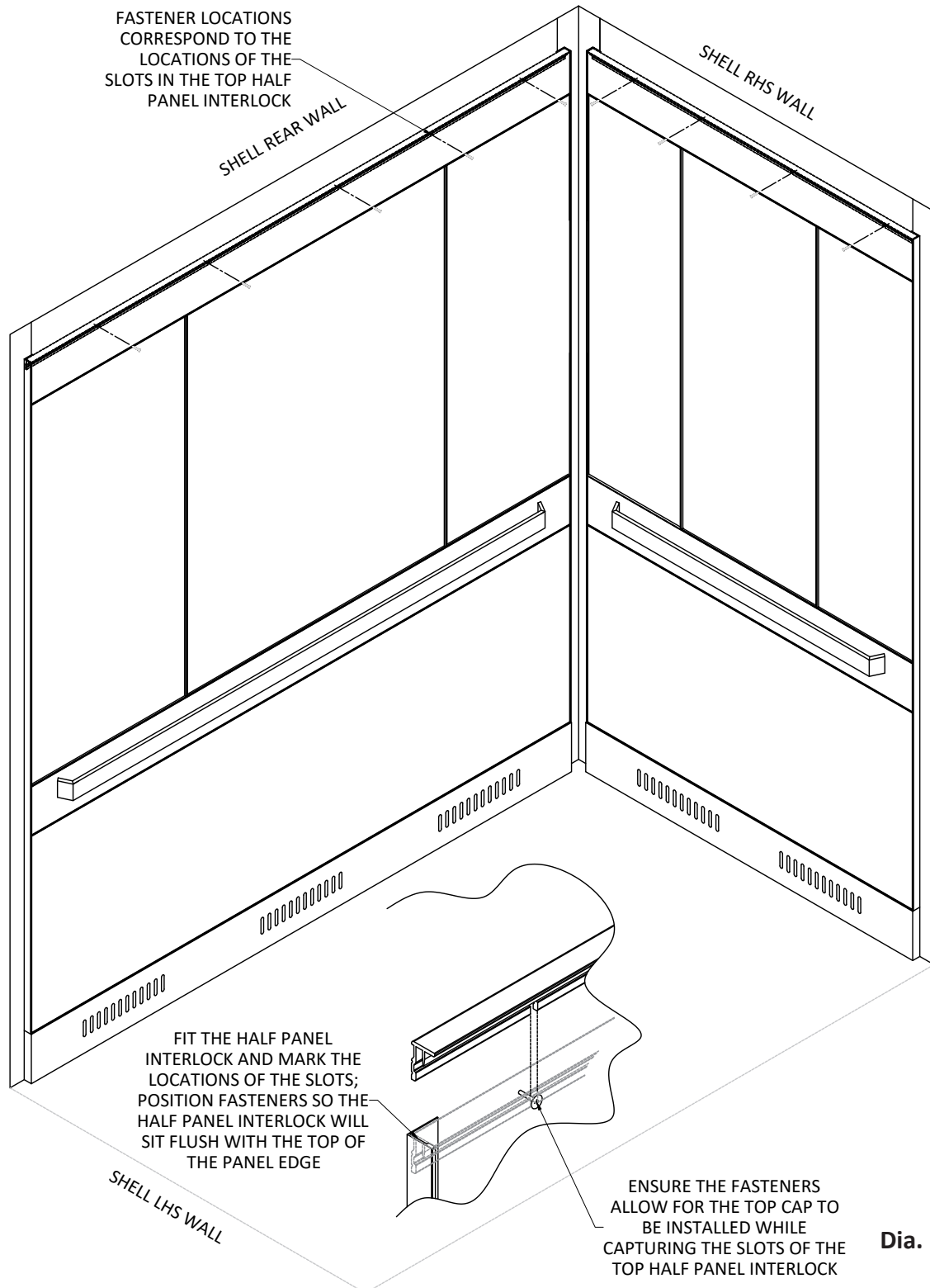
- 8.4. Remove the plastic covering from all metal panels once install is complete.



**Dia. 18**  
Top Cap detail.

## SECTION 9: INSTALL ALTERNATE TOP CAP

- 9.1. If your A-Look cab has a low profile ceiling, your top cap will come with an extra half panel interlock pre slotted to fit over fasteners.
- 9.2. Fit the bottom of the slotted half panel interlock flush with the panel edge and mark the locations of the slots on the shell. Install fasteners in those locations so the half extrusion is held firmly against the shell when lowered in place (Dia. 19).

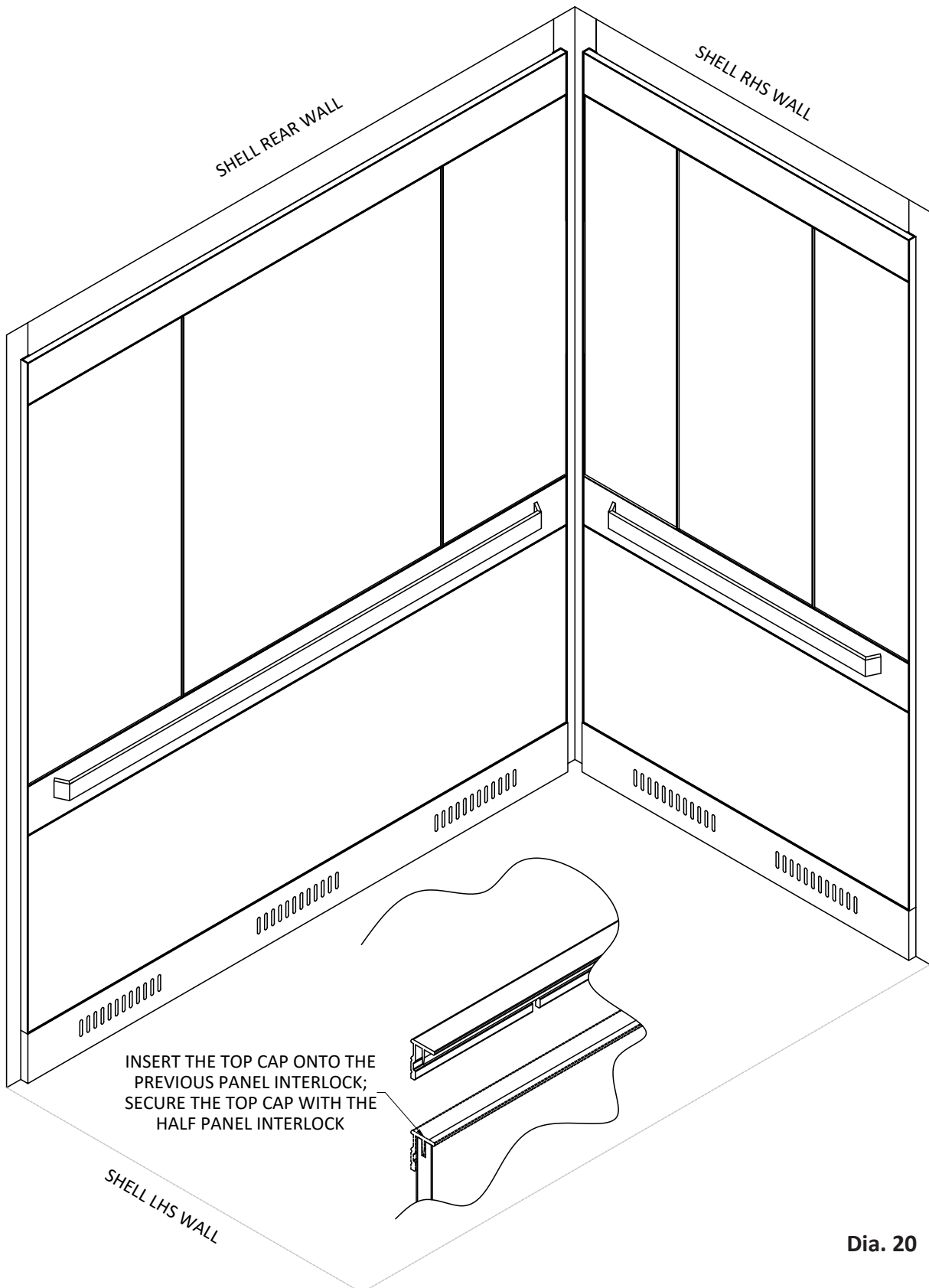


**Dia. 19**



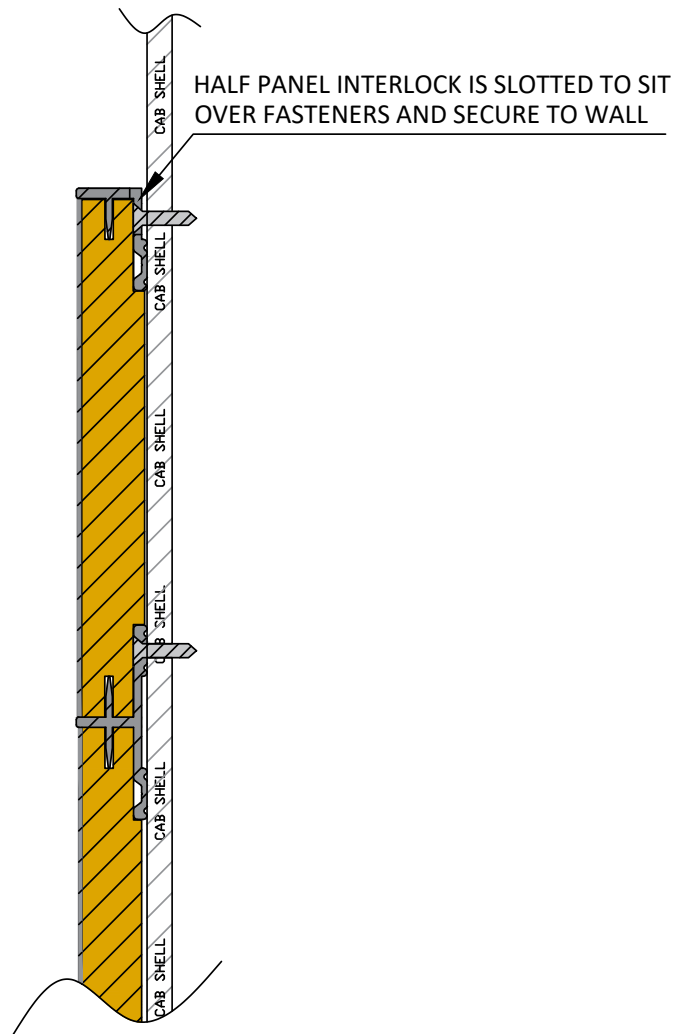
## SECTION 9: INSTALL ALTERNATE TOP CAP (CONTINUED)

- 9.3. Install the top cap panel onto the panel interlock; lock the top cap in place by placing the half panel interlock into the top cap slot and the previously installed fasteners (Dia. 20 and 21).



Dia. 20

## SECTION 9: INSTALL ALTERNATE TOP CAP (CONTINUED)



**Dia. 21**

Top Cap detail (no drop ceiling).

- 9.4. Remove the plastic covering from all metal panels once install is complete.

## SECTION 10: FINISHING VERTICAL GLASS PANELS

- 10.1. To install the glass or mirrors, place two clear vinyl spacers (supplied in the hardware kit) on the aluminum panel interlock at its base.
- 10.2. Carefully dry fit the glass/mirror into the opening (add spacers if required to center and align the glass within the opening).

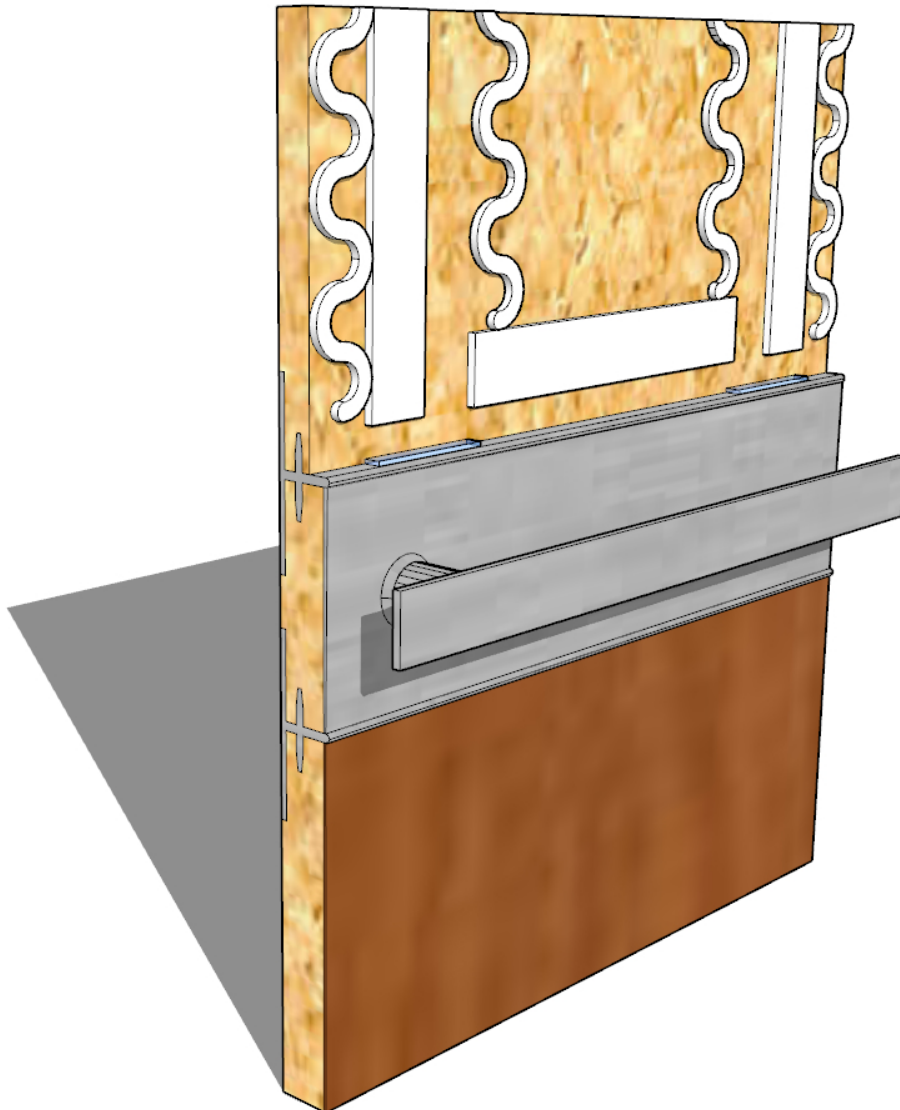


**Note: Using proper suction cups to handle the glass improves speed and safety. (suction cups are a useful tool for handling most panel products and is recommended equipment for cab installation.)**

- 10.3. Once satisfied with the dry fit, remove the glass or mirror. Peel the backing off the two way tape and apply the silicone liberally to the substrate using a 3/8 bead in a zig-zag formation. (Dia. 22).



**Warning: Do NOT cover the tape with silicone.**

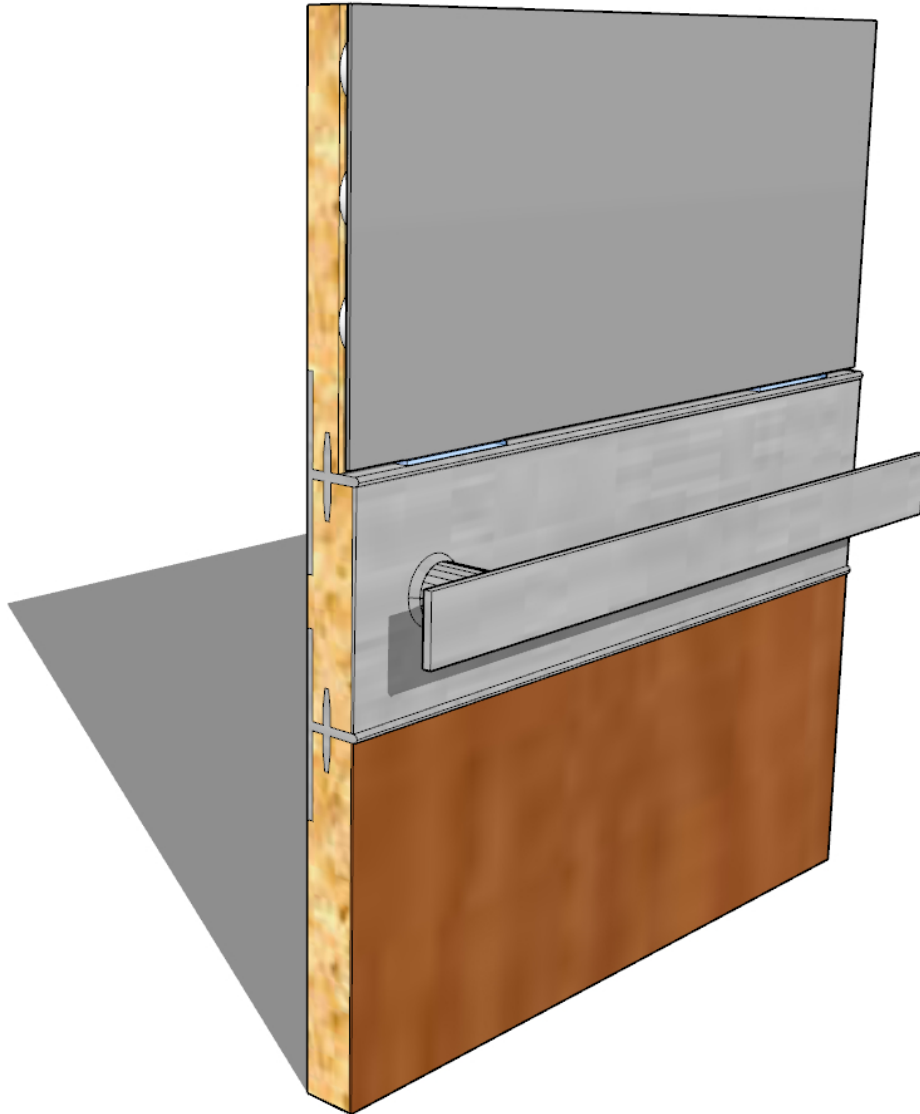


**Dia. 22**

Silicon and pre-installed two way tape.

## SECTION 10: FINISHING VERTICAL GLASS PANELS (CONTINUED)

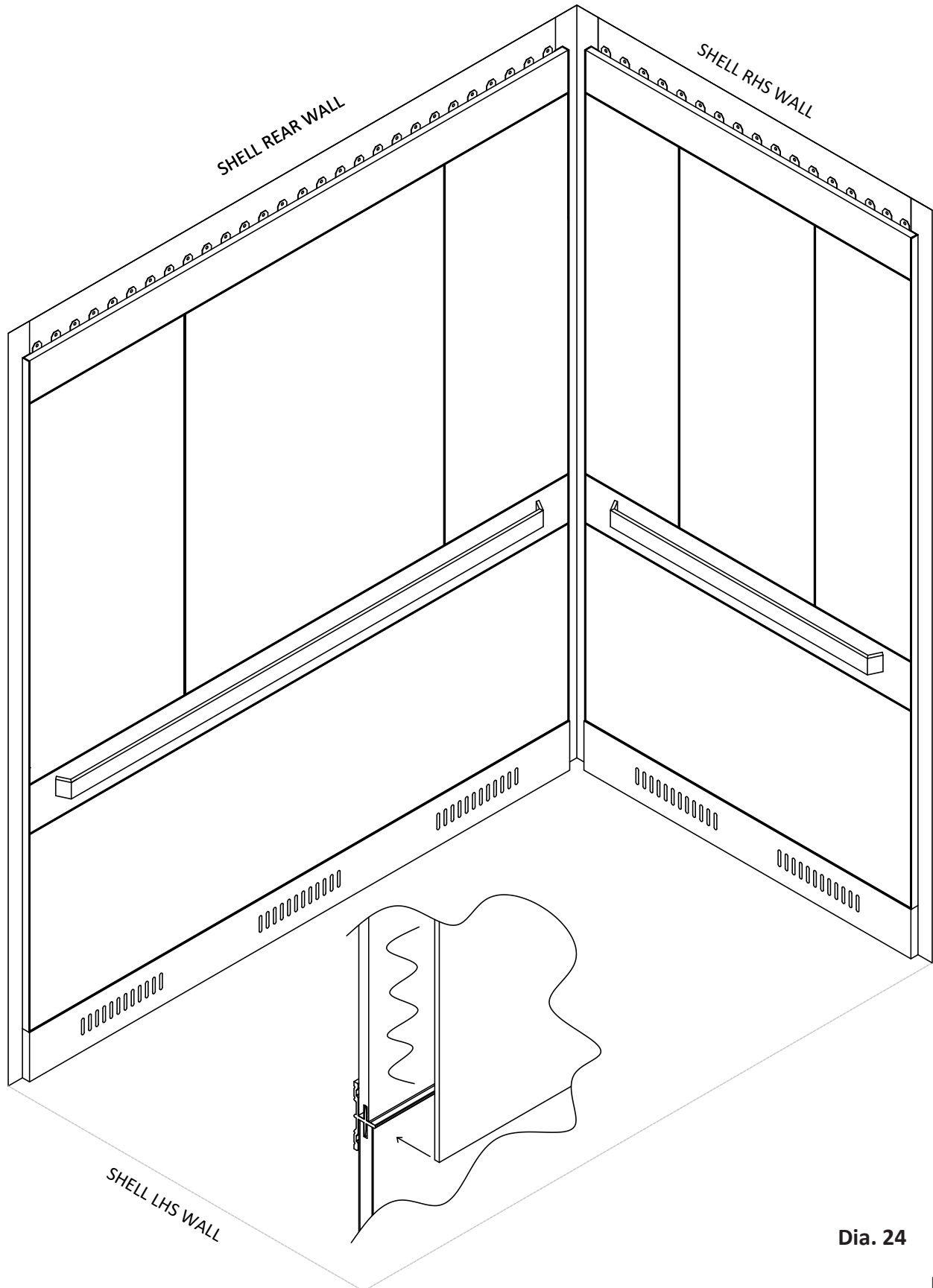
- 10.4. Press the glass/mirror into place to engage the tape and silicone. The glazing tape will secure the material while the silicon sets. (Dia. 23)



**Dia. 23**  
Mirror/glass installed.

## SECTION 10: FINISHING VERTICAL GLASS PANELS (CONTINUED)

10.5. The cab can be released into service after 24 hours. The silicone will continue to cure for an additional 72 hours. The vinyl spacers can remain in place or be removed.



Dia. 24

## GLOSSARY

### **Canopy:**

The roof of the cab.

The top structural component of the shell.

The canopy houses the emergency hatch.

The canopy may have various electrical and mechanical components attached to its surfaces, both interior and exterior.

### **Non-Access Walls:**

Any elevator cab wall which does not have an entrance.

### **“Panel Edge”:**

A decorative component of the A-Look™ Horizontal Panel System.

The Panel edge is an aluminum extruded angle used to cover the outer edges of the horizontal panels.

### **“Panel Interlock” (patented):**

A structural and decorative component of the A-Look™ Horizontal Panel System.

The “panel interlock” is an aluminum extrusion which allows one panel to be joined to another as well as to be fastened to the cab wall.

This extrusion also provides a decorative accent line at the panel junction.

### **Return Panel:**

The wall of the cab adjacent to the entrance.

The return panel may contain the control panel, phone box and/or service panel.

The car door will slide behind the return panel.

### **Reveals:**

Area of the elevator cab walls not covered by the panels.

This area is usually covered with stainless steel or plastic laminate.

### **Strike Post or Slam Post:**

Part of the door frame on which the door closes.

For technical support on the A-Look Panel installation, please contact us at:

**Elevator Cab Renovations**

**Office: (613) 745-4870**

**Toll Free: 1-877-745-4870**

[ecr@elevatorcabs.ca](mailto:ecr@elevatorcabs.ca)

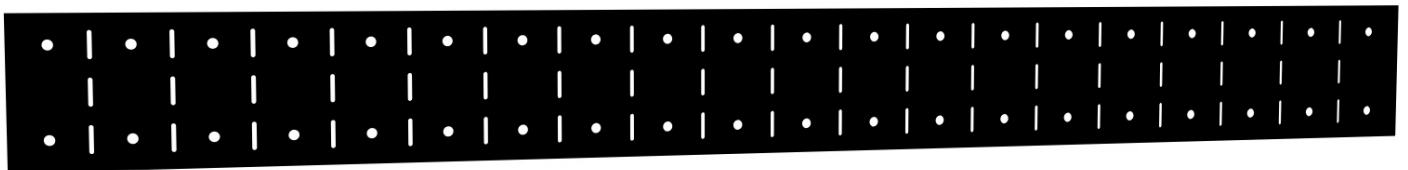
Office Hours : 6:30 AM to 3:30 PM Eastern Standard Time



# UNIVERSAL BAFFLE STRIP

TO BE UTILIZED WHEN ADDING  
VENTILATION SLOTS TO AN  
EXISTING CAB

## INSTALLATION INSTRUCTION

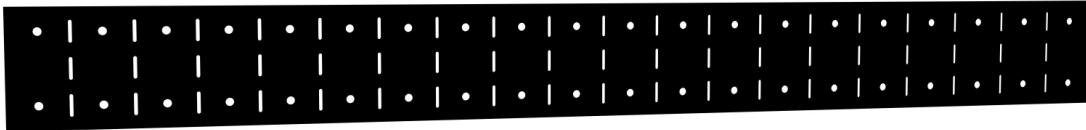


## TOOLS REQUIRED

- Drill
- Jigsaw or Grinder
- Rivet Gun
- Rivets (max dia 3.2mm)
- or
- Screws (max dia 3.2mm)

## CAB COMPONENTS TO BE INSTALLED

Universal Baffle Strip(s) to be cut to size to suit shell opening(s)



## OVERVIEW

- 0.1. Included with your package is a universal baffle strip. The universal baffle strip is designed to be installed into open vent slots in the cab shell in order to prevent material passing through the vent slots into the hoist way (as per ASME-A-17.1/B-44). The universal baffle strip is intended to be installed from the cab shell interior, prior to the installation of the cab finishes. Please refer to the following instructions to properly install your universal baffle strip.



## SECTION 1: PREPARE SITE FOR INSTALLATION

- 1.1. Once removal of the existing cab finishes are complete, determine if additional venting will be required.
- 1.2. If additional venting is required (as per ASME-A-17.1/B-44) locate and cut holes into the shell so that they will be hidden by the hollow vented kick plates (or hang on panels). Usually a 2'' (H) x 10'' (L) rectangular cut out is created off the finished floor for this purpose.
- 1.3. A typical side wall will have two cut-outs; a rear wall will typical have three cut outs.
- 1.4. Additional cut outs may also be required above the wall finishes close to the canopy (refer

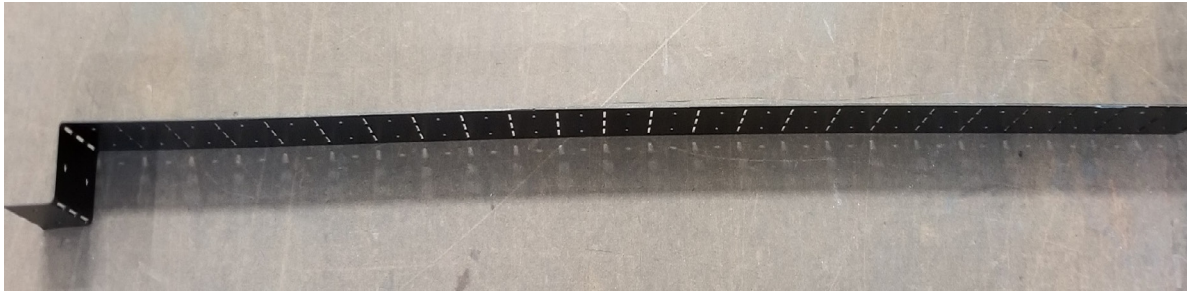
For technical support on the Universal Baffle Strip installation, please contact us at:

**Elevator Cab Renovations**  
Office: (613) 745-4870  
Toll Free: 1-877-745-4870  
[ecr@elevatorcabs.ca](mailto:ecr@elevatorcabs.ca)

Office Hours : 6:30 AM to 3:30 PM Eastern Standard Time

## SECTION 2: INSTALL UNIVERSAL BAFFLE STRIP

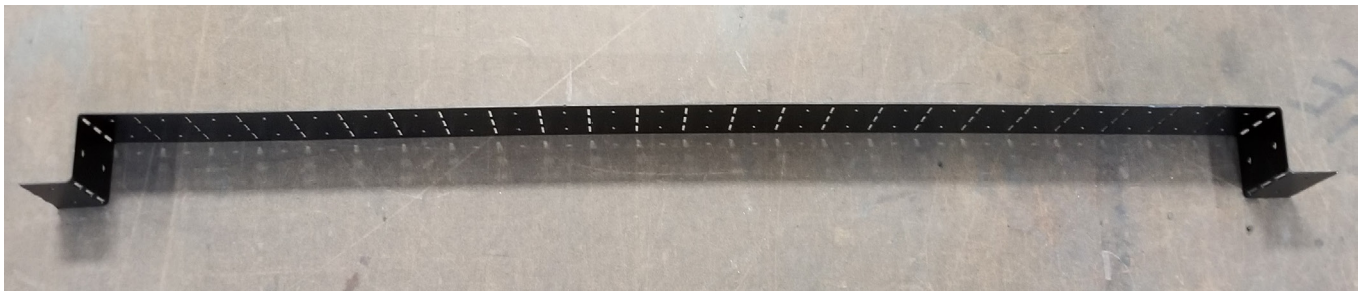
- 2.1. Begin by determining the span of the vent to be filled. The universal baffle strip is segmented; this allows the material to be bent inwards and outwards. Starting at one end, create a 90 degree bend in the strip followed by a 90 degree bend back (Dia .1).



**Dia .1**

**Universal baffle strip, one end bent**

- 2.2. From this bend, follow the linkages until the span of the vent is reached (or as much as possible) and mirror the bends (Dia .2). Use more or less linkages to suit the style and depth of the vent holes.



**Dia .2**

**Universal baffle strip, both ends bent, excess trimmed**

- 2.3. Trim the excess material and retain the remainder of the baffle strip for additional vents if applicable.

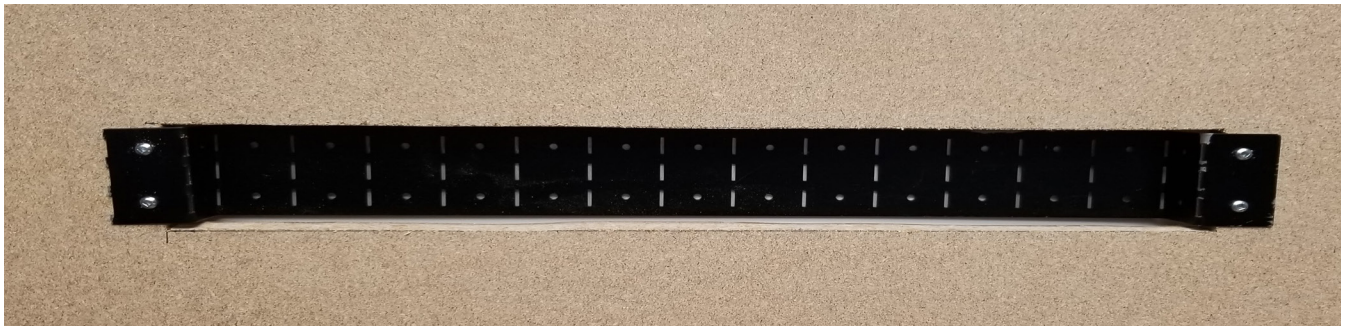
## SECTION 2: INSTALL UNIVERSAL BAFFLE STRIP ( Continued )

- 2.4. Fit the baffle strip into the vent slot (Dia .3) and secure to the cab shell with screws or rivets (Dia .4).



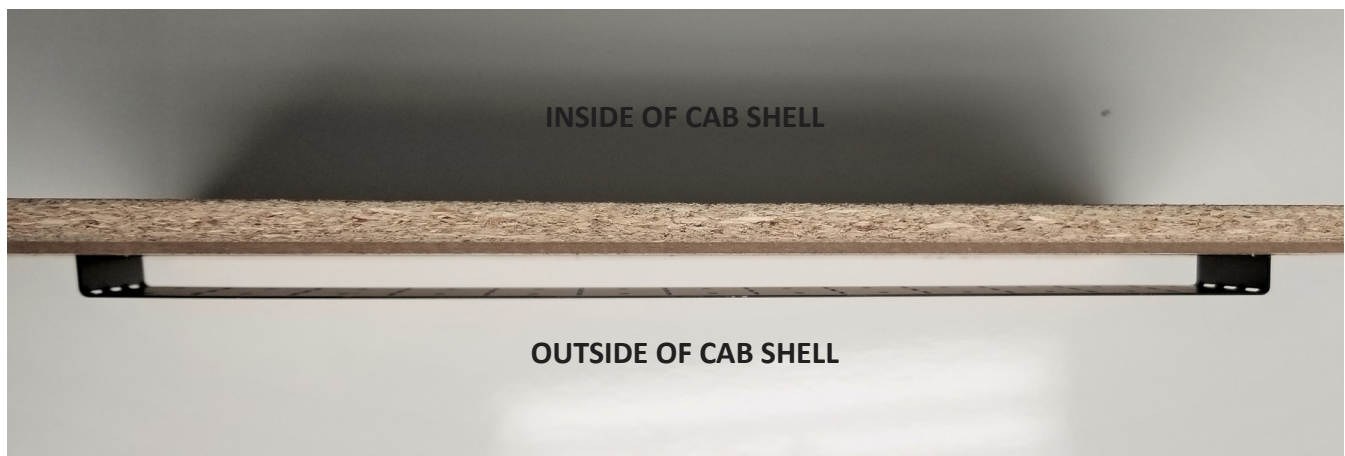
Dia .3

Universal baffle strip ready for installation



Dia .4

Universal baffle strip installed, secured with fasteners



Dia .5

Section view of universal baffle strip

- 2.5. Once the vent slots and baffle strip are in place, proceed with installing the new cab finishes.