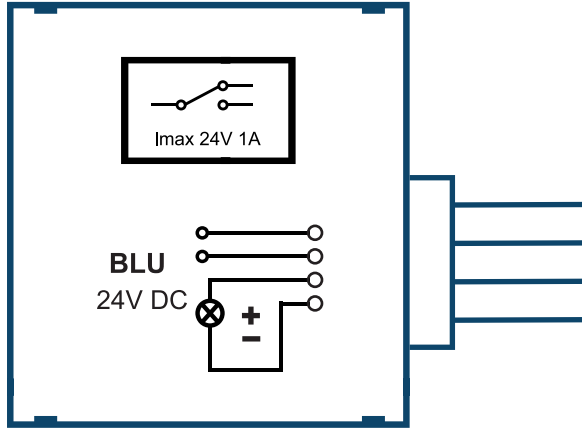
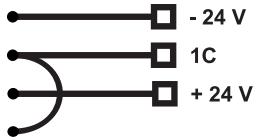


# 24V DC PUSH BUTTON - JST CONNECTOR WIRING DIAGRAM



### NEGATIVE COMMON



### POSITIVE COMMON

