

TOUCHLESS ELEVATOR SOLUTIONS



PHANTOM - Touchless Sensor IN-CAR SOLUTION

The **PHANTOM Touchless Sensor** allows any elevator button to become touchless. Monitoring the area 0.5" above the buttons, finger-like objects are detected and activate the button, while rejecting other objects, reducing false activations.

To use, the passenger simply brings their finger in proximity of the button to activate the call. Manual button functions remain to meet all code requirements.

- ✓ Touch-free – reduce risk of germ transfer
- ✓ 11.5"H x 10.5"W touch area
- ✓ Works with most elevator pushbuttons
- ✓ Easy Installation

Sherman Touchless - Elevator Button IN-CAR AND HALL SOLUTION

The perfect upgrade solution for existing MAD/DMG buttons, or new MAD fixtures. Simply hold finger over button for sensor activation.

- ✓ Dual Technology: Electromechanical contact (activated by push) and proximity sensor
- ✓ Manual button function remains to meet code requirements
- ✓ Eliminates transferring germs through touched surfaces
- ✓ Fits existing cutouts & wiring for MAD/DMG buttons
- ✓ LED Illumination available in White



PHANTOM Touchless Sensor

General Details

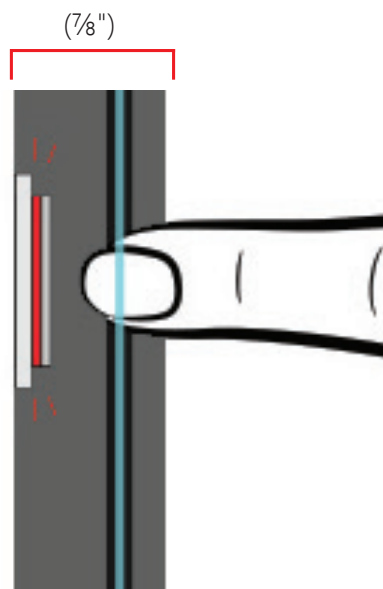
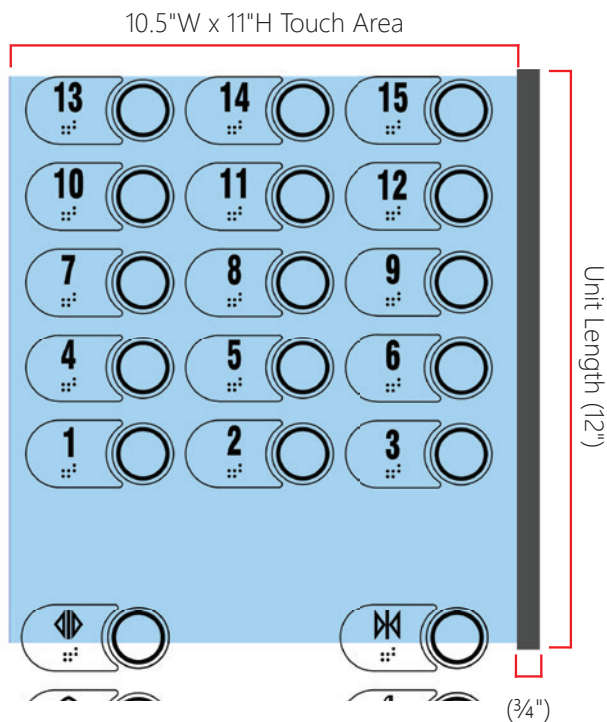
Material: Aluminum with plastic end caps.

Mounting: Surface mounted, two screws from behind.

Wiring: Terminal block with wiring for a common wire and one signal wire per floor. COP Interface board 3X3

Cleaning: Wipe down with a damp cloth and mild soap

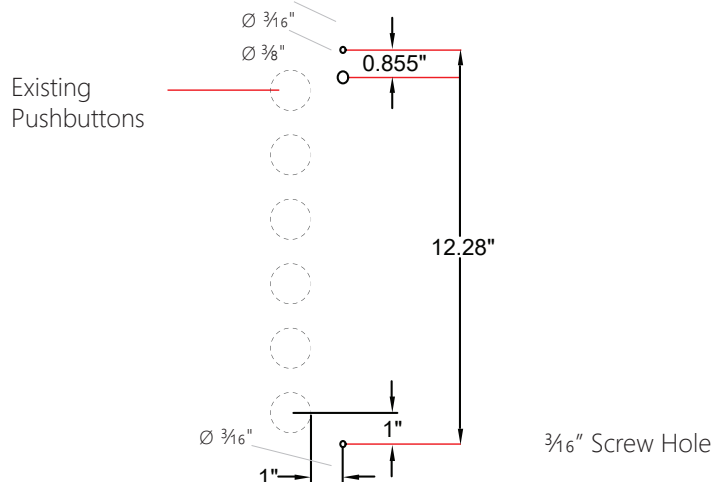
Product Specifications



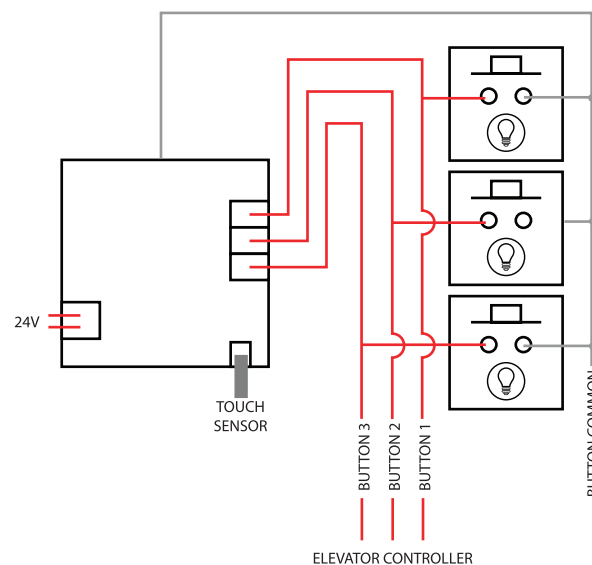
Shown above: triggering beam to activate pushbutton

Installation Diagram

Drilling template provided



Wiring Diagram



Sherman Touchless Pushbutton

General Details

Mounting: Frontal, by jam-nut

Body: AISI 303 turned stainless steel button

Component Ordering: Complete Assembly, BSLVF34MW.00

Contacts: mechanical mode: 1 contact 30V, 60mA
touchless mode: opto relay 30V, 60mA

Wiring: screw terminals

Voltage: 24V DC, stand-by 15mA, max 50mA

Illumination: white

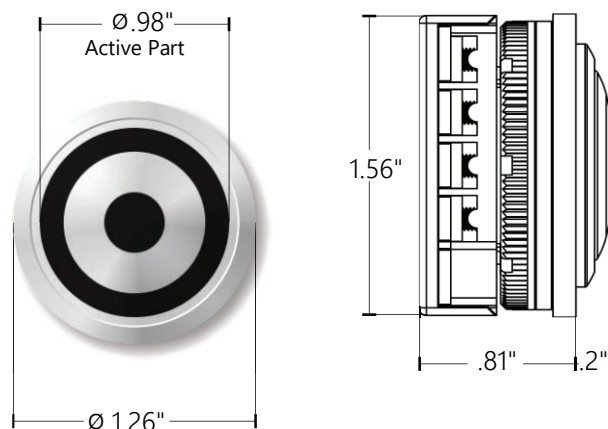
Stroke: 0.040"

Avg. Life: 1,500,000 activations

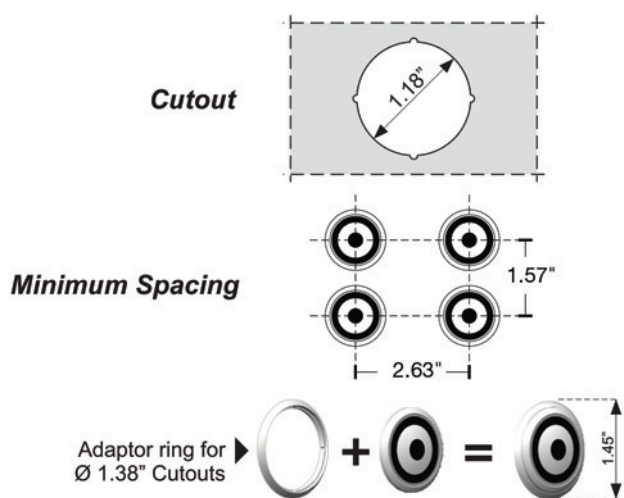
Degree of protection: IP44, IK07

Cleaning: Wipe down with mild soap and a damp cloth

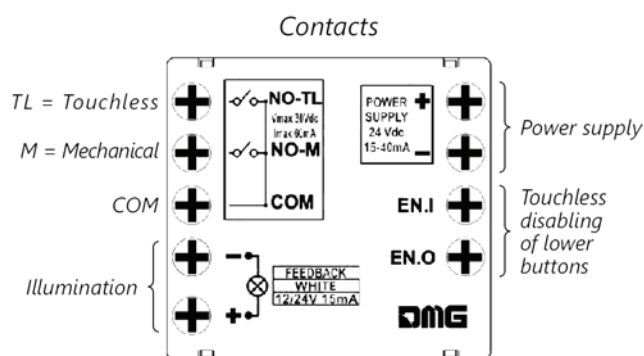
Physical Characteristics



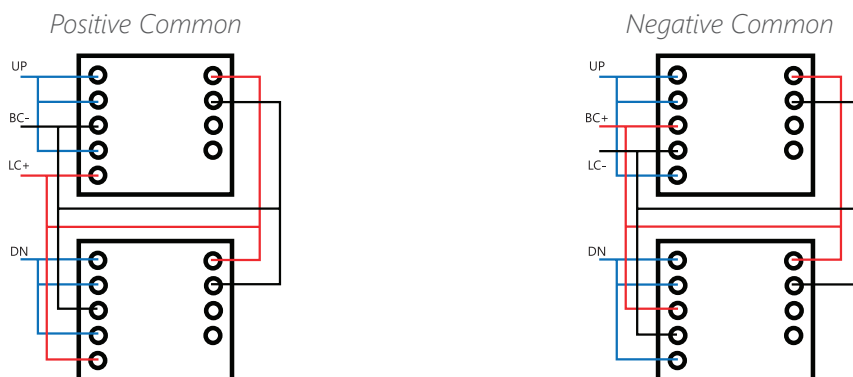
Mounting Requirements



Contact Block



Wiring Diagram



This publication is for general informational purposes only. Product design is subject to change without notice. Actual product colors and finishes may vary.

Copyright © 2020 MAD Elevator Inc.