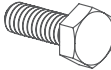



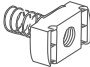


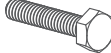
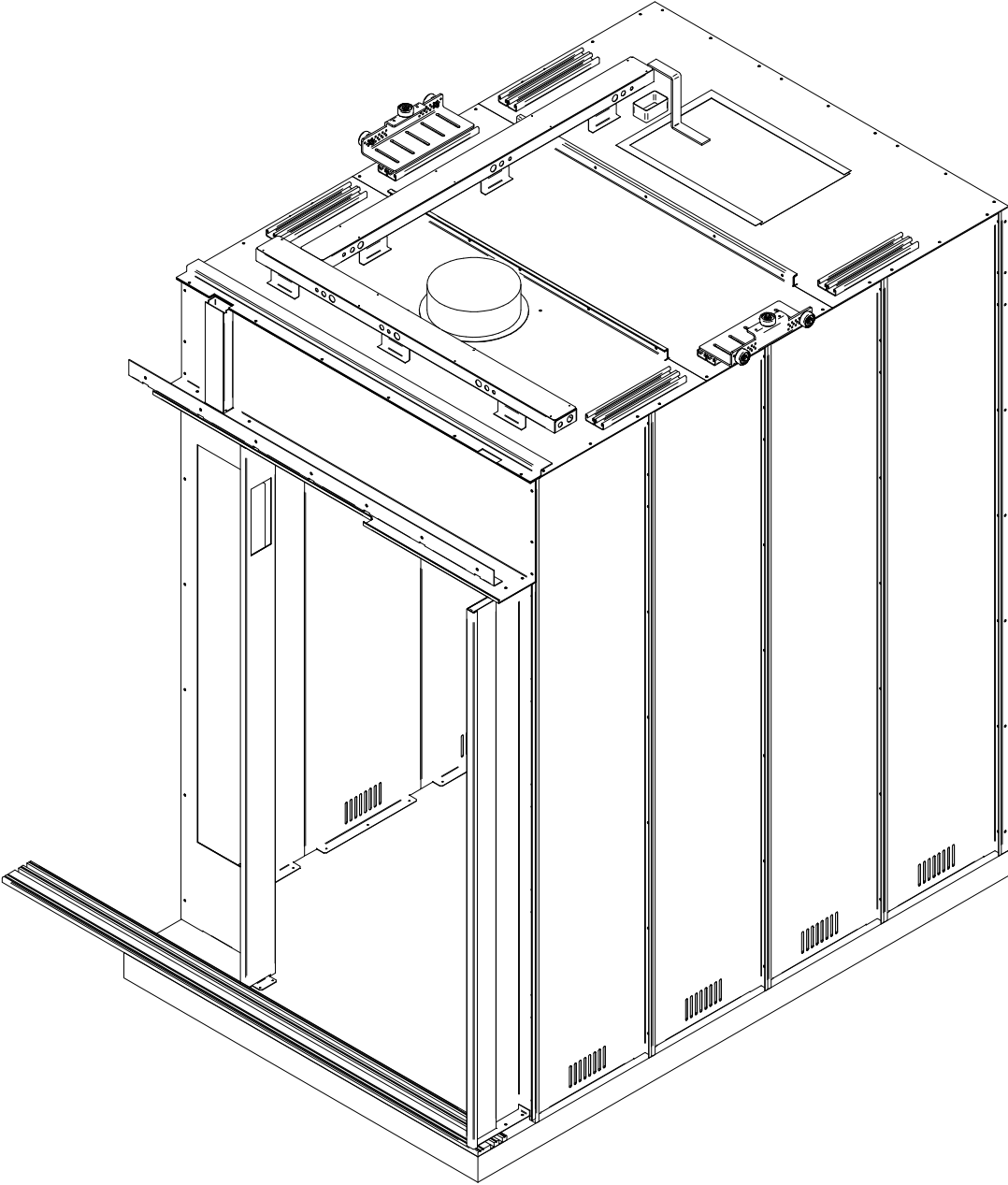


SHELL ASSEMBLY INSTRUCTIONS

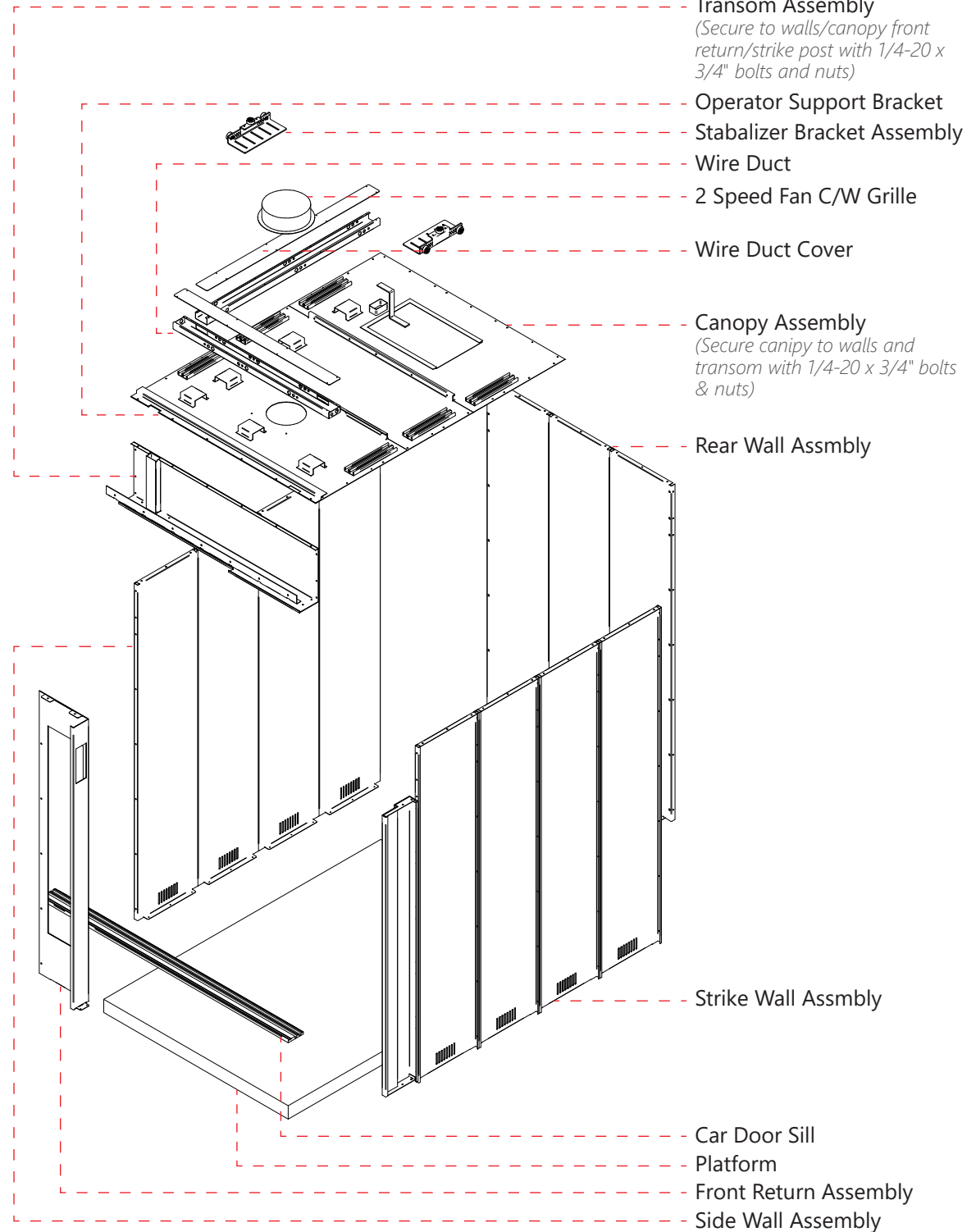
PROVIDED HARDWARE

-  150x 1/4"-20 Bolts
-  150x 1/4" Flat washers
-  150x 1/4" Lock washers
-  150x 1/4"-20 Nuts
-  10x 3/8"-16 Spring Nuts
-  40x #8, 5/8" Self tapping screws
-  40x #8, 1" Wood screws (FH)
-  20x 3/8"-16 Bolts



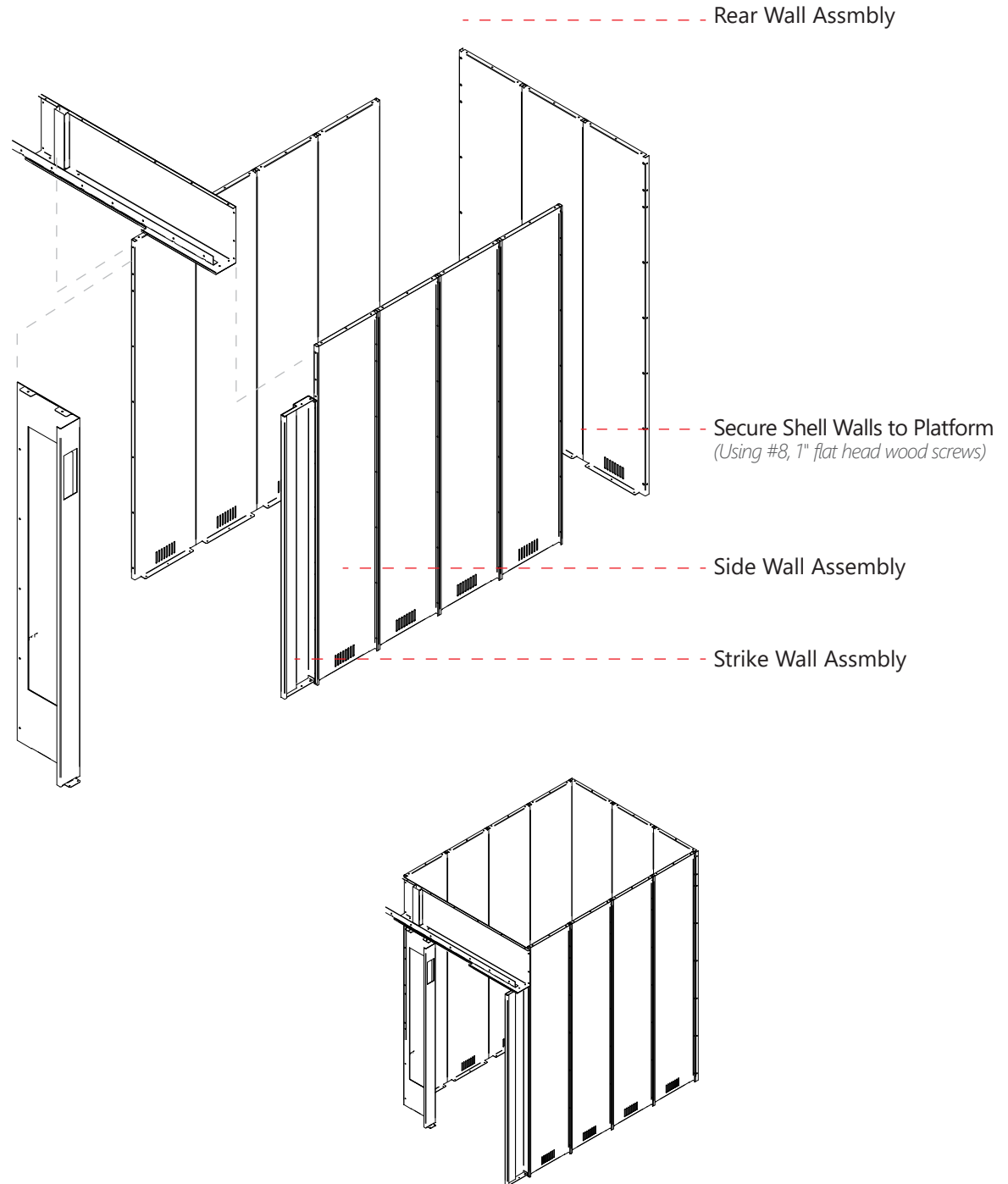
STEP 1

- Assemble Rear wall and side wall assemblies as per drawing and hardware provided in the parts package (1/4-20 bolts, flat and lock washer and nut)
- Install the strike post on the strike wall assembly. Ensure the strike post is 0.75" higher from the base of the wall assembly as this will rest on top of the car door sill



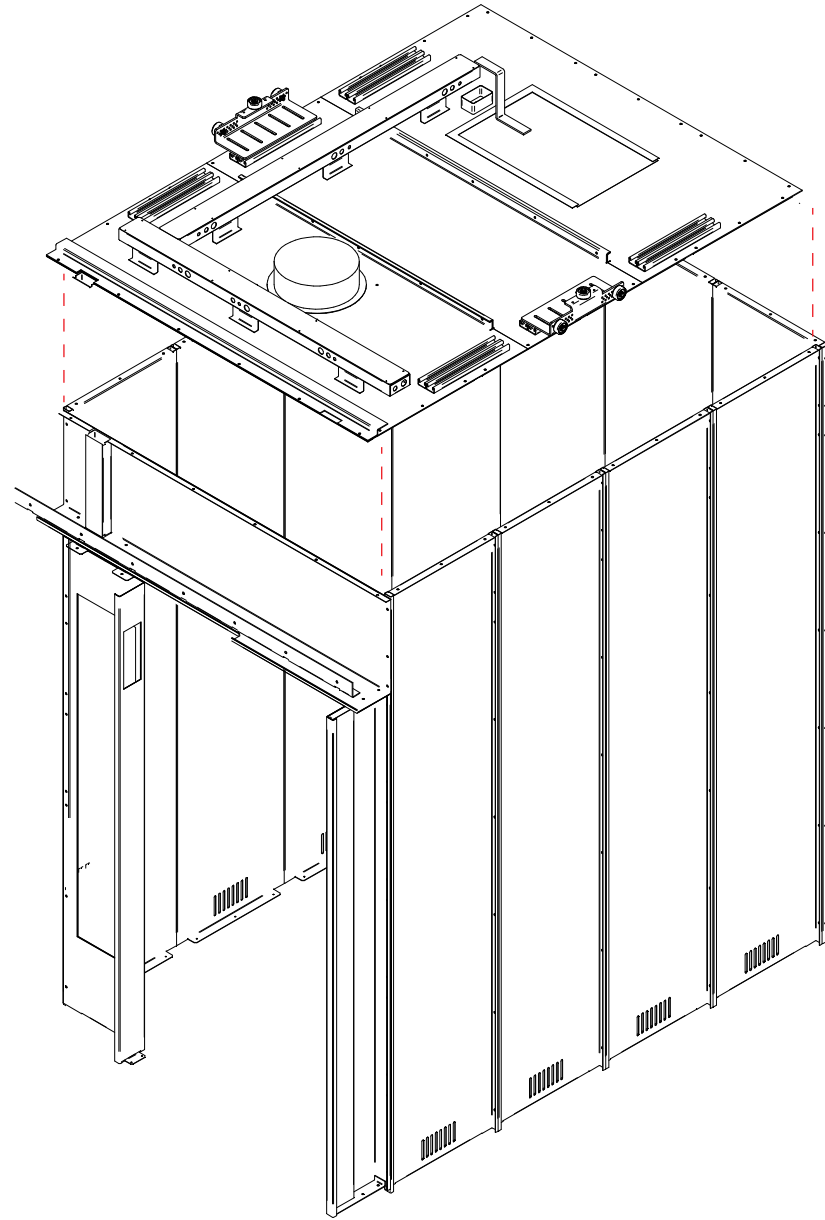
STEP 2

- Slide the assembled Rear wall assembly on to the platform and line up the rear edge of the panels to the outer rear edge of the platform. Hold in place temporary with a few flat head wood screws to the return flange of the wall panels.
- Slide the Side wall assembly and line up the rear edge of the panels to the outer side edge of the platform and butt the wall assembly to the inside face of the rear wall.
- Bolt the rear wall assembly to the side wall assembly with hardware provided (1/4-20 bolts, flat and lock washer and nut). Hold in place temporary with a few flat head wood screws to the return flange of the wall panels (as per details on page 4 and 5)
- Slide the Strike wall assembly and line up the rear edge of the panels to the outer side edge of the platform and butt the wall assembly to the inside face of the rear wall.
- Bolt the rear wall assembly to the side wall assembly with hardware provided (1/4-20 bolts, flat and lock washer and nut). Hold in place temporary with a few flat head wood screws to the return flange of the wall panels (as per details on page 4 and 5)
- Install the Front return assembly. If the Car operating panels is available, mount to the front return prior to bolting the Front assembly to the Side wall assembly with hardware provided (1/4-20 bolts, flat and lock washer and nut). Hold in place temporary with a few flat head wood screws to the return flange of the return wall panel.
- Install the Transom assembly with hardware provided (1/4-20 bolts, flat and lock washer and nut).
- Square the complete cab walls before permanently securing the wall assemblies into the platform with #8, 1" Flat head wood screws.



STEP 3

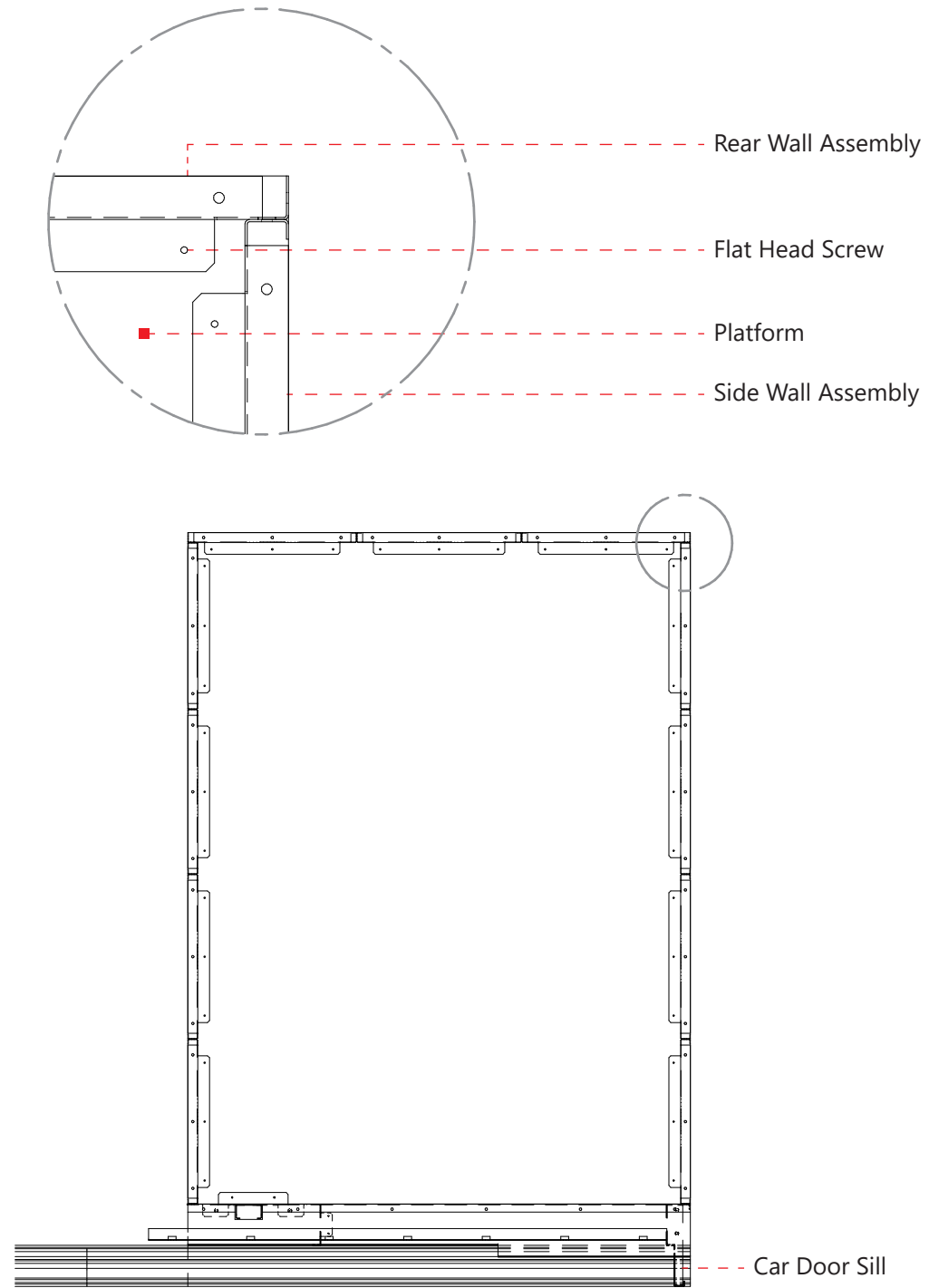
- Install the ceiling canopy assembly on top of the assembled cab shell walls with hardware provided (1/4-20 bolts, flat and lock washer and nut).



STEP 4

- Install the cab stabilizer bracket assembly to canopy and secure to platform styles using $\frac{3}{8}$ -16 Spring nuts and bolts
- Install the wire ducts as shown in the assembly drawing using #8 $\frac{5}{8}$ " Self tapping screws
- Install Car door sill
- Install the door operator*
- Install the Fan if provided

* Doors & Operator not displayed in diagram



STEP 4 (Continued)

