

SHERMAN Touchless



The **Sherman Touchless** pushbutton is the perfect touch-free solution to the commonly touched elevator surface. Simply hold finger over button for sensor activation. Manual button function remains to meet code requirements.

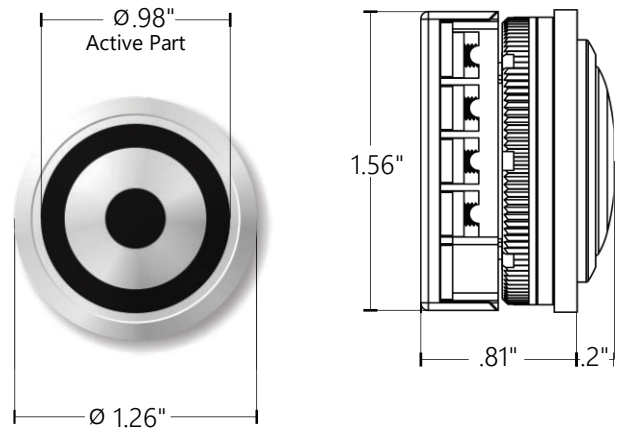
- ✓ Dual Technology: Electromechanical contact (activated by push) and proximity sensor
- ✓ Eliminates transferring germs through touched surfaces
- ✓ Perfect retrofit product for DMG/MAD buttons
- ✓ LED illumination available in white



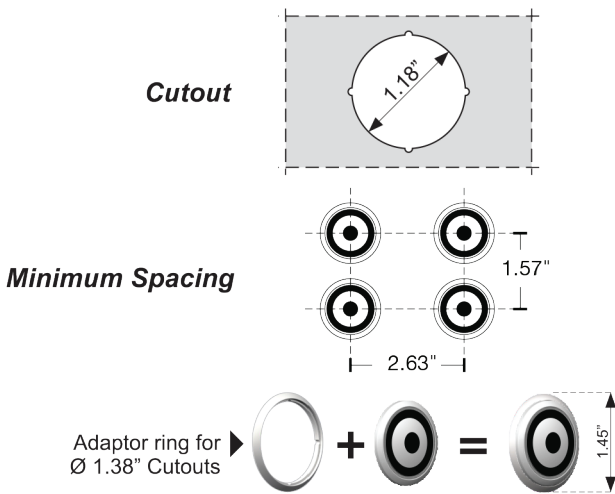
General Details

- Mounting:** Frontal, by jam-nut
- Body:** AISI 303 turned stainless steel button
- Component Ordering:** Complete Assembly, BSLVF34MW.00
- Contacts:** mechanical mode: 1 contact 30V, 60mA
touchless mode: opto relay 30V, 60mA
- Wiring:** screw terminals
- Voltage:** 24V DC, stand-by 15mA, max 50mA
- Touchless Disable:** Connect (-) negative signal to ENI terminal to disable if required
- Illumination:** white
- Stroke:** 0.040"
- Avg. Life:** 1,500,000 activations
- Degree of protection:** IP44, IK07
- Cleaning:** Wipe down with mild soap and a damp cloth

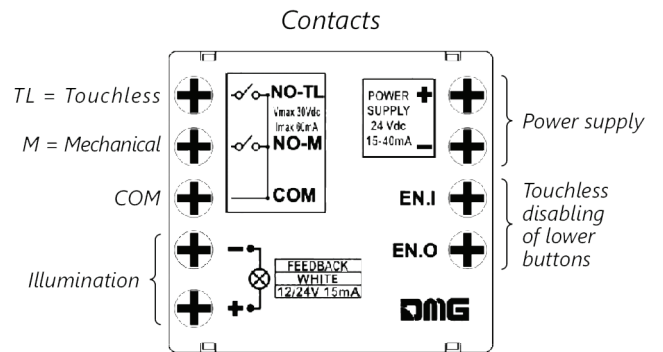
Physical Characteristics



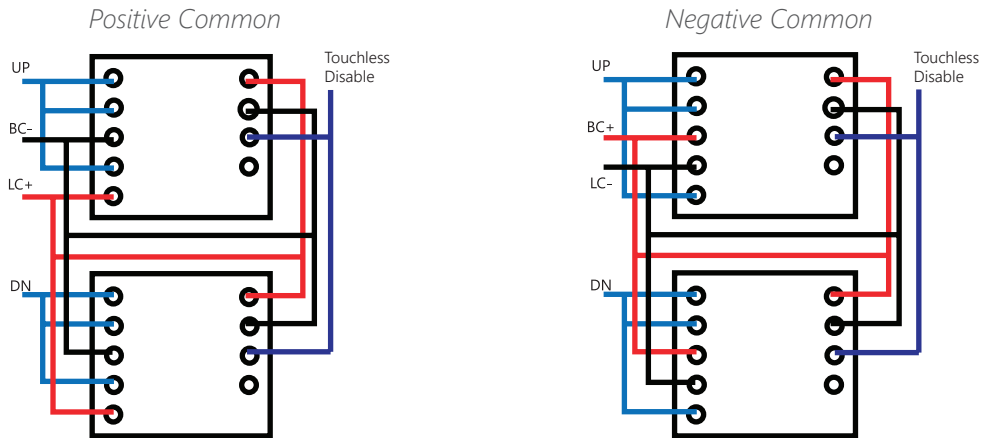
Mounting Requirements



Contact Block



Wiring Diagram



This publication is for general informational purposes only. Product design is subject to change without notice. Actual product colors and finishes may vary.

Copyright © 2021 MAD Elevator Inc.