



# MAD Elevator Inc. – Interior Survey Form

## Section 1: Project Information

Date: \_\_\_\_\_ Project Name: \_\_\_\_\_

Requested By: \_\_\_\_\_ Company Name: \_\_\_\_\_

Interior:  Cab Interior Only  Cab Interior & Fronts Scope:  Solid Shell  Rail & Style Open Shell Construction

Capacity (lbs):  2000  2500  3000  3500  4000  4500  5000  Other: \_\_\_\_\_

Installation:  By Others  By MAD

Number of Elevators: \_\_\_\_\_

## Section 2: Cab & Layout Information

Cab Shell:  Steel  Wood  Birdcage  Other: \_\_\_\_\_

Type of Door Opening:

Type A     Type B     Type C     Type D     Type E     Type F     Other

## Section 3: Cab Measurements

Please take all measurements at the job site. To ensure accuracy of measurements, please measure each cab.

	Cab 1	Cab 2	Cab 3
Ⓐ Back Wall Width			
Ⓑ Top Left Wall Width			
Ⓒ Bottom Left Wall Width			
Ⓓ Top Right Wall Width			
Ⓔ Bottom Right Wall Width			
Ⓕ Cab Height *			
Ⓖ Escape Hatch Width			
Ⓗ Escape Hatch Length			
Ⓘ Left Wall to Escape Hatch			
Ⓙ Back Wall to Escape Hatch			

\* Cab Sill to Underside of Canopy

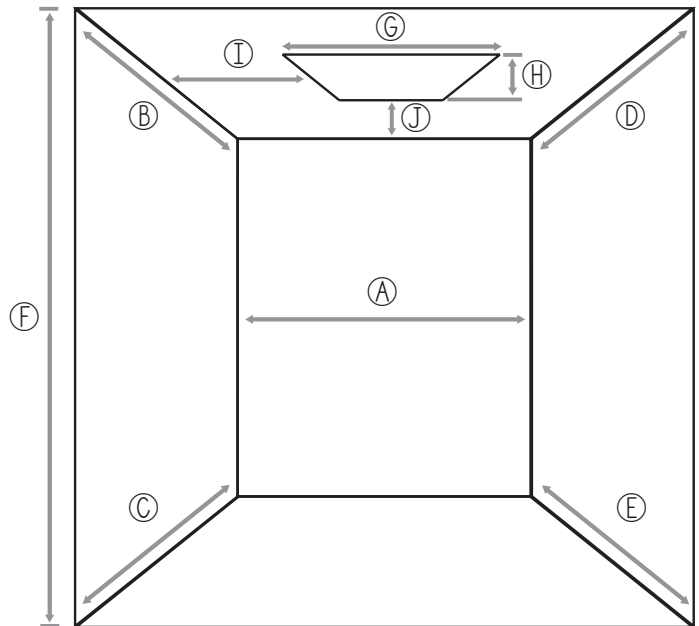
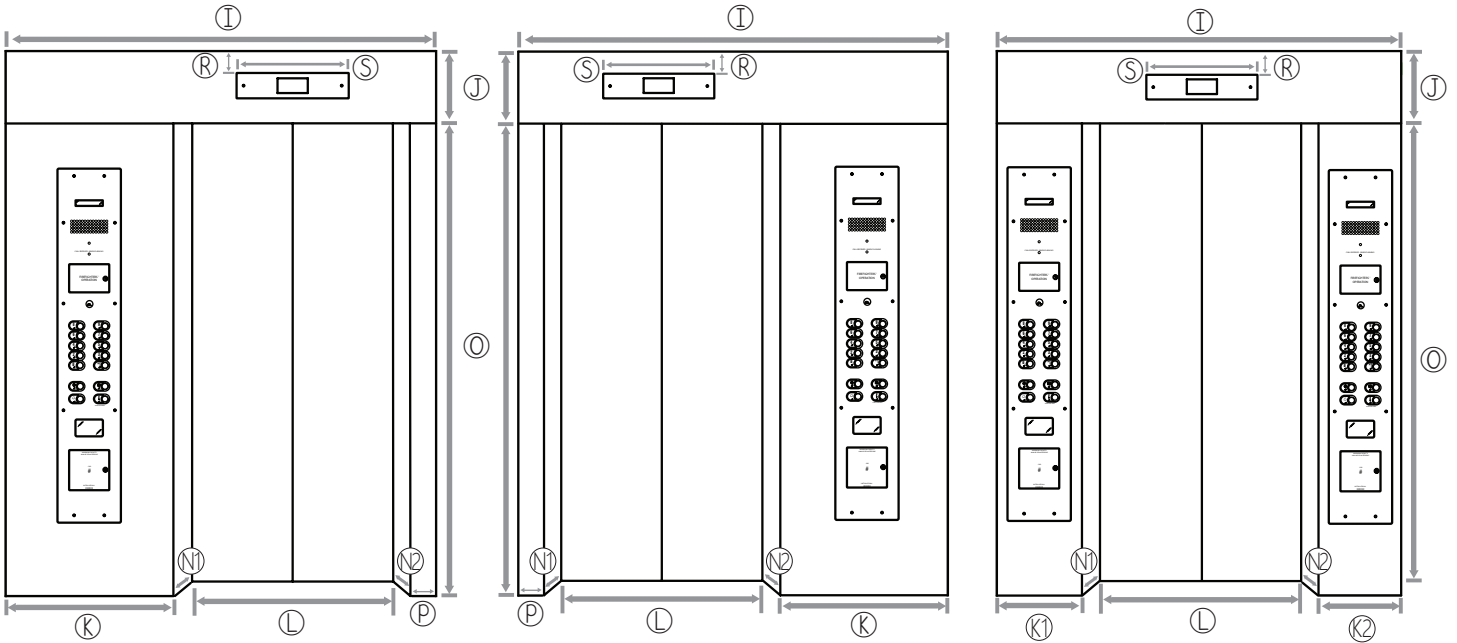


Diagram is based on facing cab interior from hallway.

If the ceiling is not being removed, additional measurements are required. Please contact your Sales representative.

# Section 4: Front Measurements

Select the option that best represents the cab front (required even if front will not be provided).



Single Side (Right) Opening

Single Side (Left) Opening

Center Opening

	Cab 1	Cab 2	Cab 3
ⓐ Transom Width			
ⓑ Transom Height			
Ⓚ Return Wall Width (#1)			
Ⓛ Return Wall Width (#2)*			
Ⓦ Door Opening Width			

\* Only Pertains to Center Opening

\*\* From Cab Sill to Door Height

	Cab 1	Cab 2	Cab 3
Ⓝ Door Opening Width (#1)			
Ⓞ Door Opening Width (#2)			
ⓐ Door Opening Height**			
Ⓟ Door Frame Width			
Ⓡ Height Above PI			
Ⓢ PI Width			

# Section 5: Photos

Please send photos of the circled areas below to help us identify potential issues on site.

- Rear Corners:  Left side top       Left side bottom       Right side top       Right side bottom
- Front Corners:  Left side top       Left side bottom       Right side top       Right side bottom
- Posts:  Left side top       Left side bottom       Right side top       Right side bottom
- Other:  Floor at Sill       Ceiling at Hatch

Notes:

