

# TOE-TO-GO



## Foot-Activated Elevator Call Button

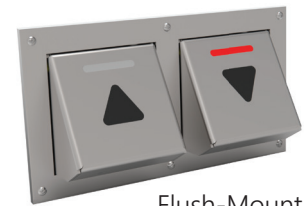
The Toe-To-Go (T2G) foot-activated elevator call button allows activation of hall & car station buttons by shoe, reducing the risk of transferring germs by creating a hands-free experience.



- ✓ Hands-Free Activation
- ✓ Robust Durable Design
- ✓ Stainless Steel or PVD Brass finish
- ✓ Easy Retrofit for Existing Installation
- ✓ Wire in Parallel to Existing Buttons
- ✓ Surface-Mount Option for Hall Station
- ✓ Keypad Option for COP



Surface-Mount



Flush-Mount



Patent Pending



# General Details

**General:** Robust Rocker Design to withstand abuse

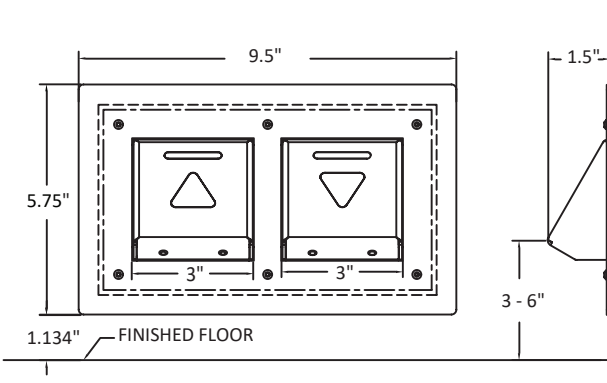
**Wiring:** Screw terminals in parallel with hall station or car operating panel pushbuttons

**Illumination:** LED-illumination in Red, Green, Blue, White or Amber

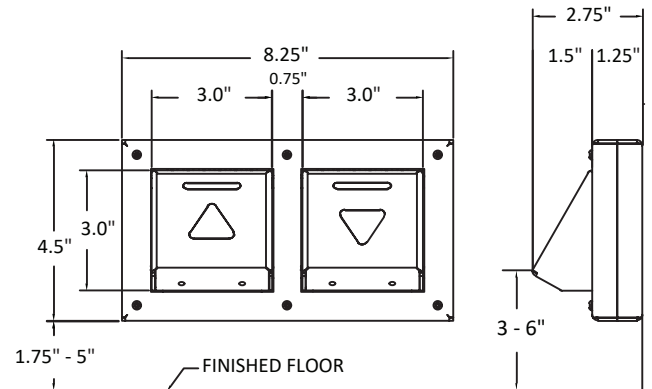
**Voltage:** Illuminated – 24V, Non-Illuminated – 120V

**Cleaning:** Wipe down with a damp cloth and mild soap

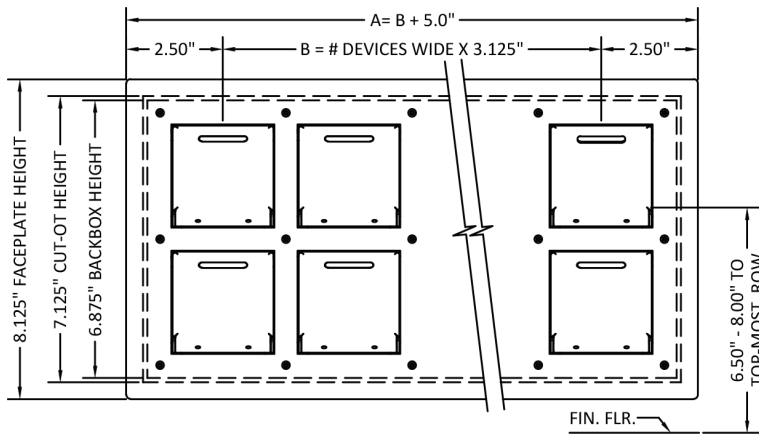
## Typical Hall Station (Flush)



## Typical Hall Station (Surface)

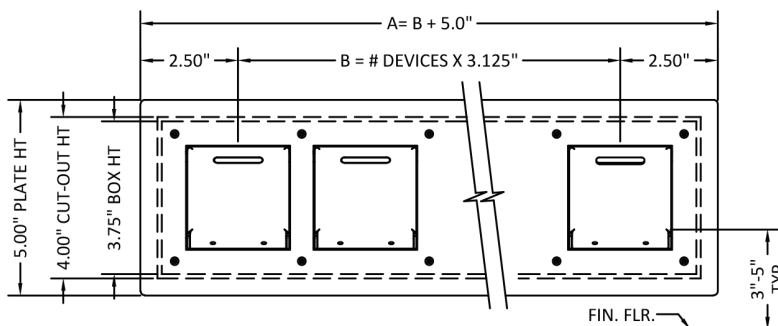


## Typical Car Station (Flush)



DOUBLE-ROW FACEPLATE & BACKBOX WIDTHS			
FLOORS	FACEPLATE	BACKBOX	CUT-OUT
4	11.250"	10.000"	10.250"
6	14.375"	13.125"	13.375"
8	17.500"	16.250"	16.500"
10	20.625"	19.375"	19.625"
12	23.750"	22.500"	22.750"
14	26.875"	25.625"	25.750"

Keypad option available.



SINGLE-ROW FACEPLATE & BACKBOX WIDTHS			
FLOORS	FACEPLATE	BACKBOX	CUT-OUT
2	11.250"	10.000"	10.250"
3	14.375"	13.125"	13.375"
4	17.500"	16.250"	16.500"
5	20.625"	19.375"	19.625"
6	23.750"	22.500"	22.750"
7	26.875"	25.625"	25.750"

Keypad option available.

This publication is for general informational purposes only. Product design is subject to change without notice. Actual product colors and finishes may vary.

Copyright © 2020 MAD Elevator Inc.