

TOE-TO-GO



Foot-Activated Elevator Call Button

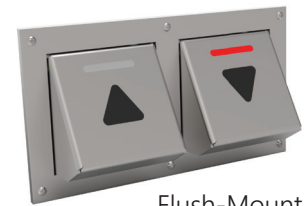
The Toe-To-Go (T2G) foot-activated elevator call button allows activation of hall & car station buttons by shoe, reducing the risk of transferring germs by creating a hands-free experience.



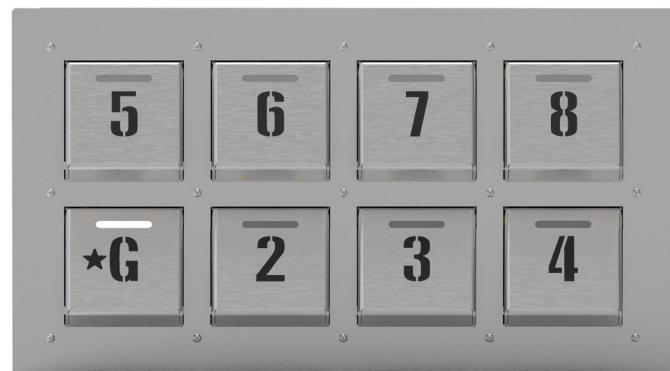
- ✓ Hands-Free Activation
- ✓ Robust Durable Design
- ✓ Stainless Steel or PVD Brass finish
- ✓ Easy Retrofit for Existing Installation
- ✓ Wire in Parallel to Existing Buttons
- ✓ Surface-Mount Option for Hall Station
- ✓ Keypad Option for COP



Surface-Mount



Flush-Mount



Patent Pending

General Details

General: Robust Rocker Design to withstand abuse

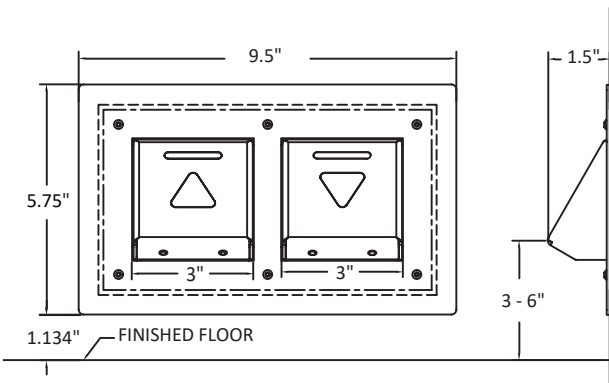
Wiring: Screw terminals in parallel with hall station or car operating panel pushbuttons

Illumination: LED-illumination in Red, Green, Blue, White or Amber

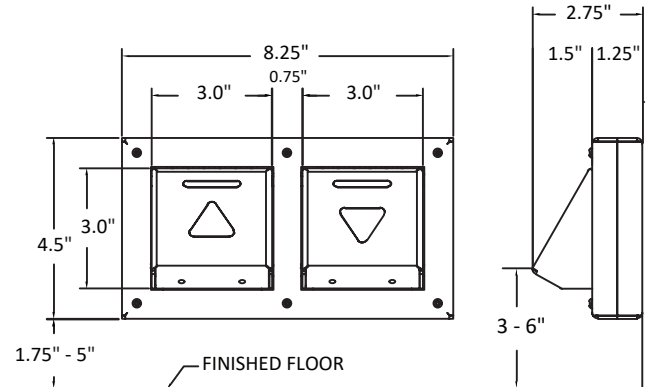
Voltage: Illuminated – 24V, Non-Illuminated – 120V

Cleaning: Wipe down with a damp cloth and mild soap

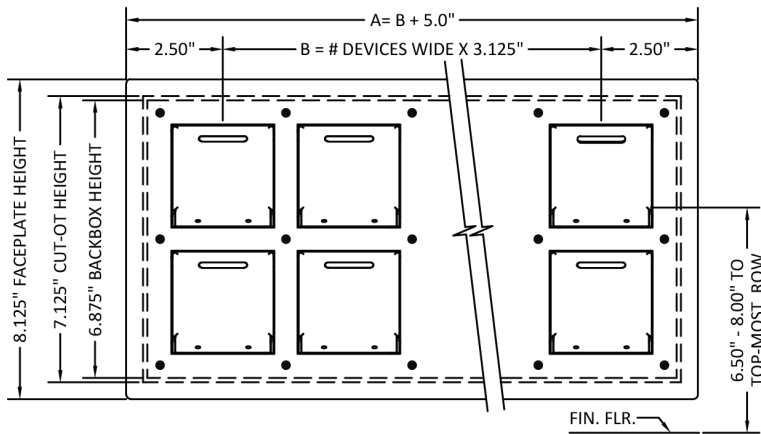
Typical Hall Station (Flush)



Typical Hall Station (Surface)

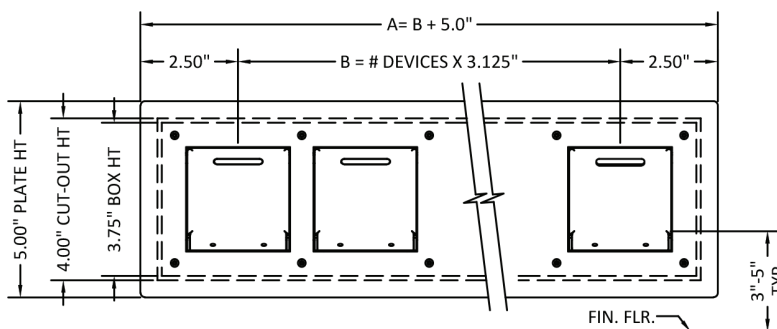


Typical Car Station (Flush)



DOUBLE-ROW FACEPLATE & BACKBOX WIDTHS			
FLOORS	FACEPLATE	BACKBOX	CUT-OUT
4	8.125"	6.875"	7.125"
6	11.250"	10.000"	10.250"
8	14.375"	13.125"	13.375"
10	17.500"	16.250"	16.500"
12	20.625"	19.375"	19.625"
14	23.750"	22.500"	22.750"
16	26.875"	25.625"	25.750"

Keypad option available.



SINGLE-ROW FACEPLATE & BACKBOX WIDTHS			
FLOORS	FACEPLATE	BACKBOX	CUT-OUT
2	8.125"	6.875"	7.125"
3	11.250"	10.000"	10.250"
4	14.375"	13.125"	13.375"
5	17.500"	16.250"	16.500"
6	20.625"	19.375"	19.625"
7	23.750"	22.500"	22.750"
8	26.875"	25.625"	25.750"

Keypad option available.

This publication is for general informational purposes only. Product design is subject to change without notice. Actual product colors and finishes may vary.

Copyright © 2020 MAD Elevator Inc.