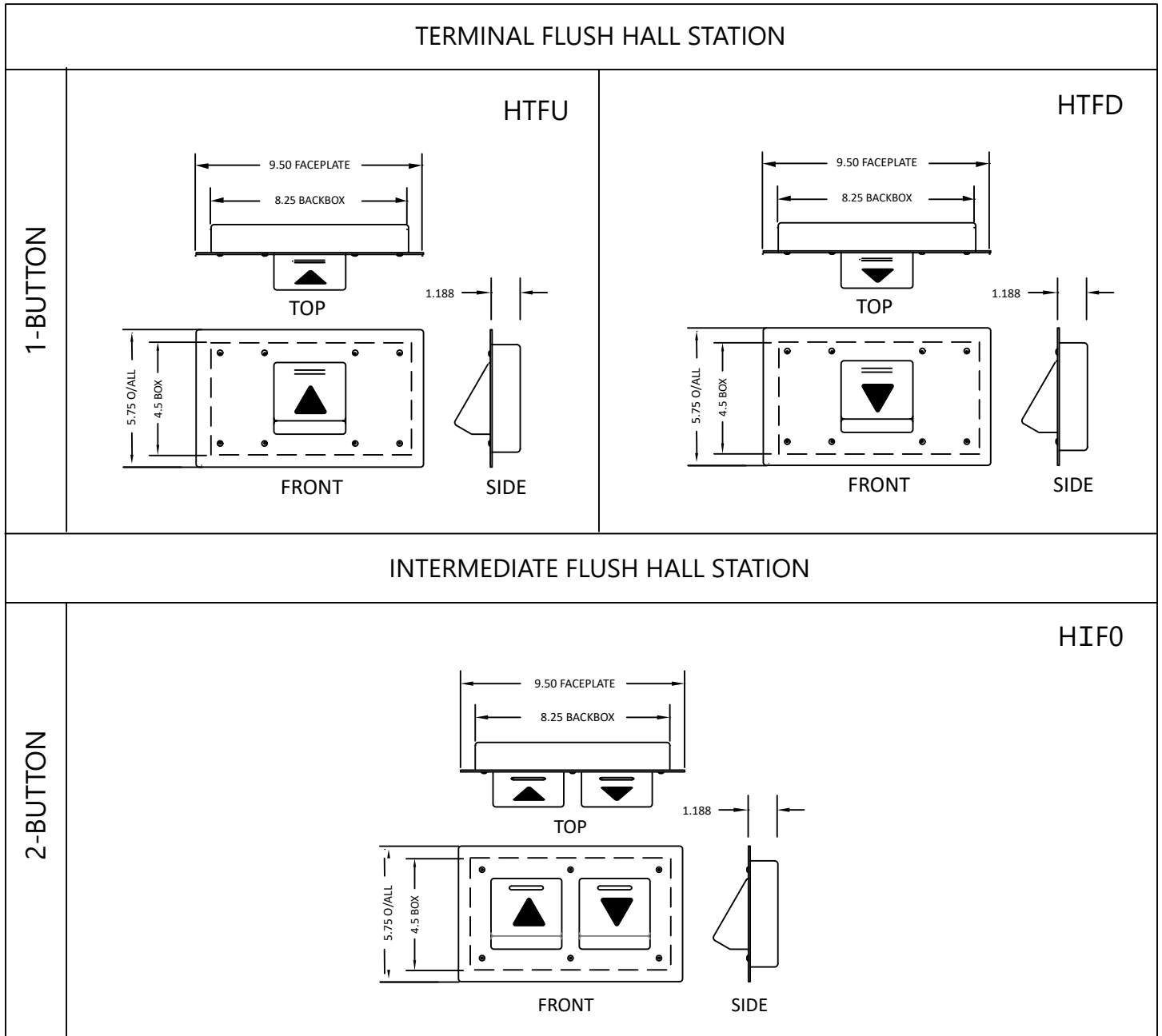




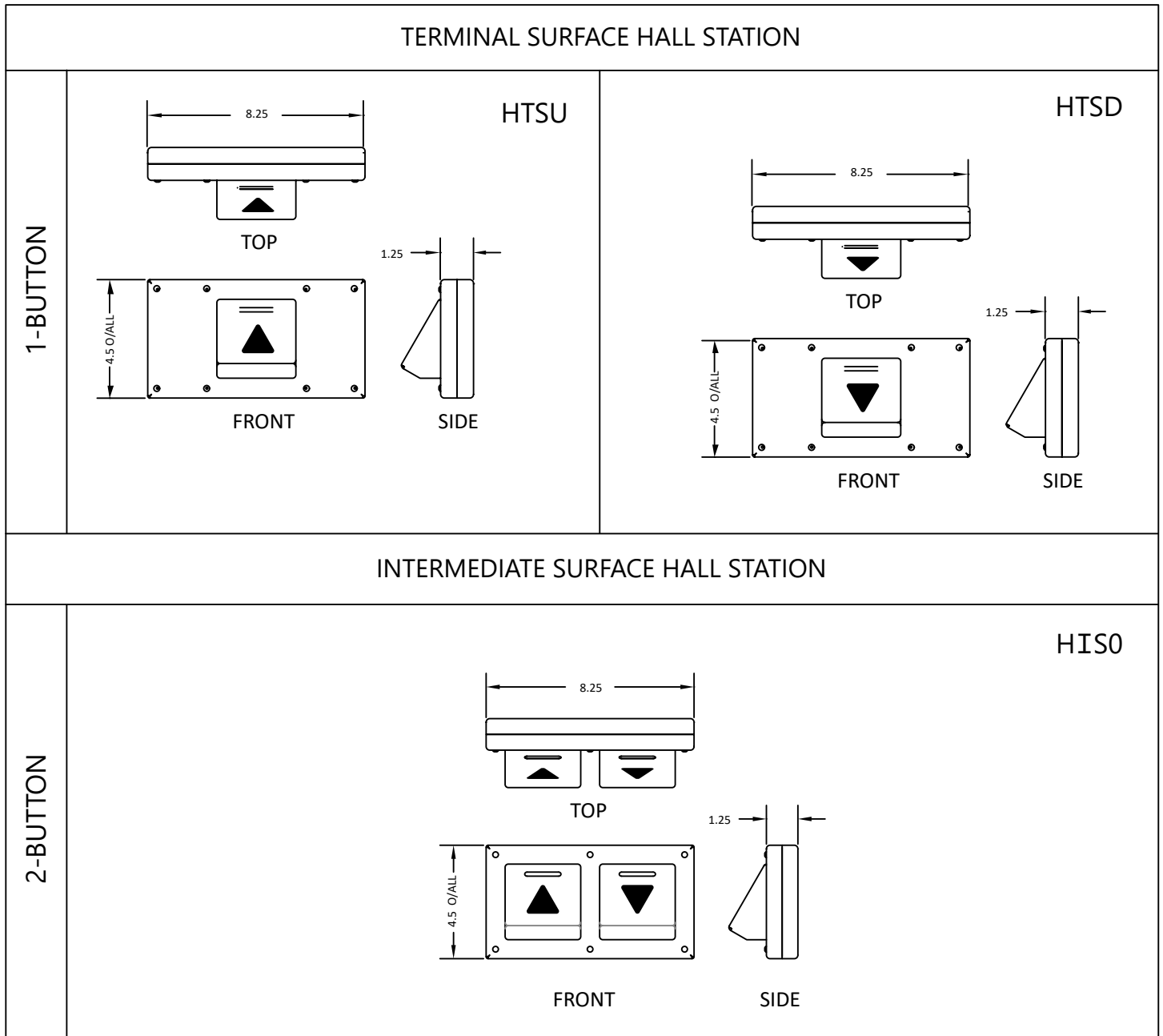
HALL STATION: FLUSH-MOUNTED



MAD is able to accommodate combinations of rows, columns and buttons not shown in this document. Layouts are subject to space requirements.

For more information, please contact customerservice@madelevator.com

HALL STATION: SURFACE-MOUNTED



CAR STATION: SINGLE ROW

2-BUTTON	<p style="text-align: right;">C1X2</p> <p style="text-align: center;">TOP</p> <p style="text-align: center;">FRONT</p> <p style="text-align: center;">SIDE</p>	3-BUTTON	<p style="text-align: right;">C1X3</p> <p style="text-align: center;">TOP</p> <p style="text-align: center;">FRONT</p> <p style="text-align: center;">SIDE</p>
4-BUTTON	<p style="text-align: right;">C1X4</p> <p style="text-align: center;">TOP</p> <p style="text-align: center;">FRONT</p> <p style="text-align: center;">SIDE</p>	5-BUTTON	<p style="text-align: right;">C1X5</p> <p style="text-align: center;">TOP</p> <p style="text-align: center;">FRONT</p> <p style="text-align: center;">SIDE</p>
6-BUTTON	<p style="text-align: right;">C1X6</p> <p style="text-align: center;">TOP</p> <p style="text-align: center;">FRONT</p> <p style="text-align: center;">SIDE</p>		

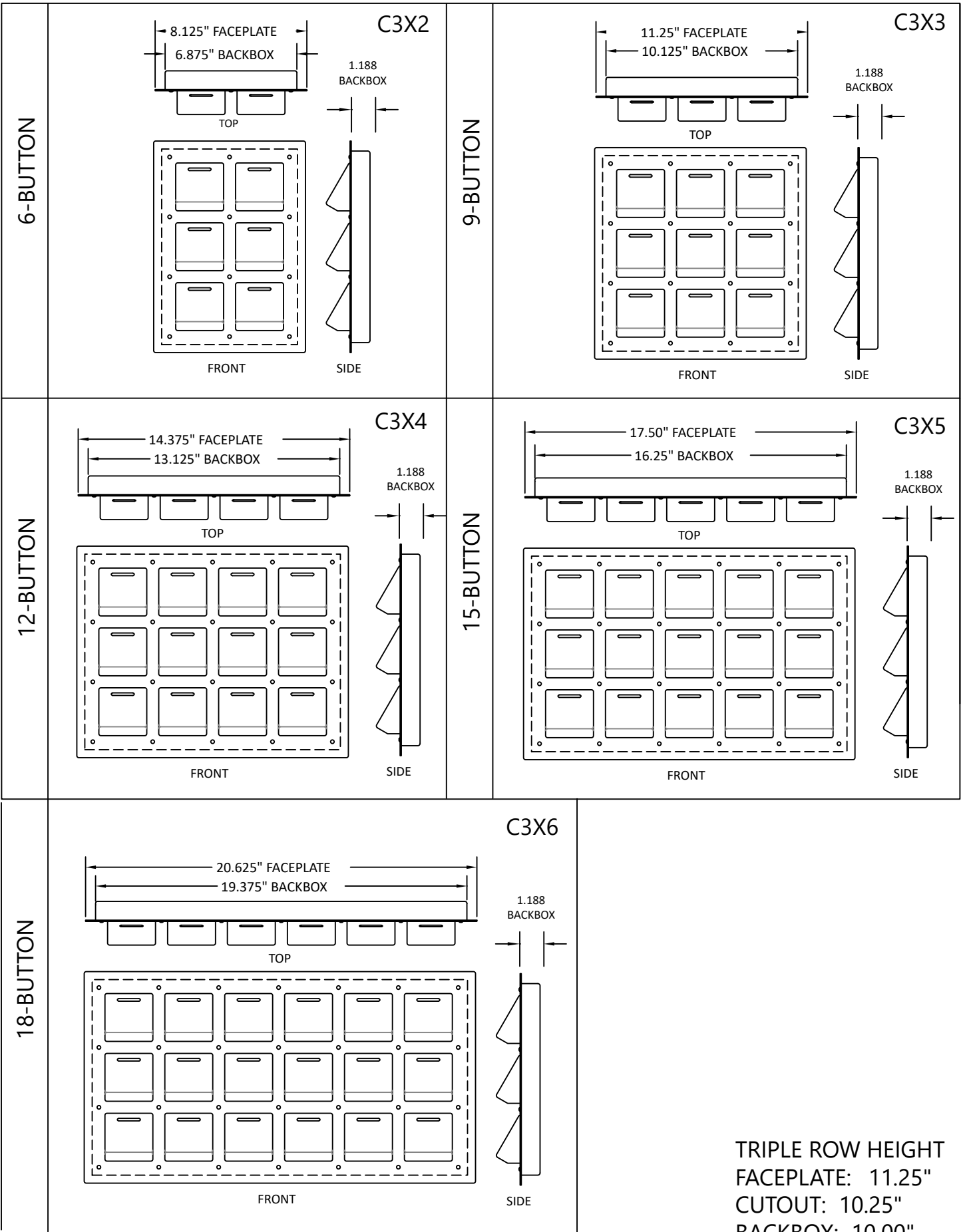
SINGLE ROW HEIGHT
 FACEPLATE: 5"
 CUTOUT: 4"
 BACKBOX: 3.75"

CAR STATION: DOUBLE ROW

4-BUTTON	<p style="text-align: right;">C2X2</p> <p>8.125 FACEPLATE 6.875 BACKBOX 1.188 BACKBOX</p> <p>TOP</p> <p>FRONT</p> <p>SIDE</p>
8-BUTTON	<p style="text-align: right;">C2X3</p> <p>11.25 FACEPLATE 10.00 BACKBOX 1.188 BACKBOX</p> <p>TOP</p> <p>FRONT</p> <p>SIDE</p>
12-BUTTON	<p style="text-align: right;">C2X4</p> <p>14.375 FACEPLATE 13.125 BACKBOX 1.188 BACKBOX</p> <p>TOP</p> <p>FRONT</p> <p>SIDE</p>
10-BUTTON	<p style="text-align: right;">C2X5</p> <p>17.5 FACEPLATE 16.25 BACKBOX 1.188 BACKBOX</p> <p>TOP</p> <p>FRONT</p> <p>SIDE</p>
<p style="text-align: right;">C2X6</p> <p>20.625 FACEPLATE 19.375 BACKBOX 1.188 BACKBOX</p> <p>TOP</p> <p>FRONT</p> <p>SIDE</p>	

DOUBLE ROW HEIGHT
FACEPLATE: 8.125"
CUTOUT: 7.125"
BACKBOX: 6.875"

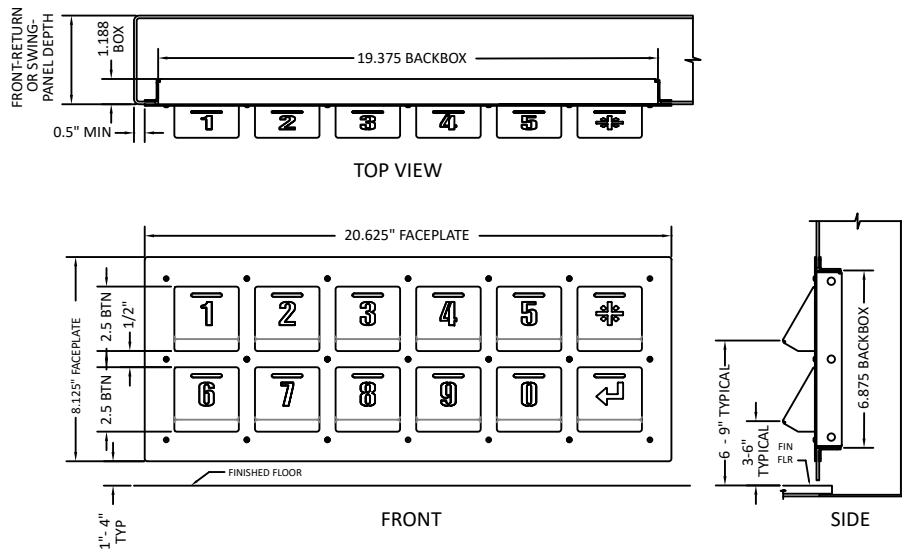
CAR STATION: TRIPLE ROW



CAR STATION: KEYPAD

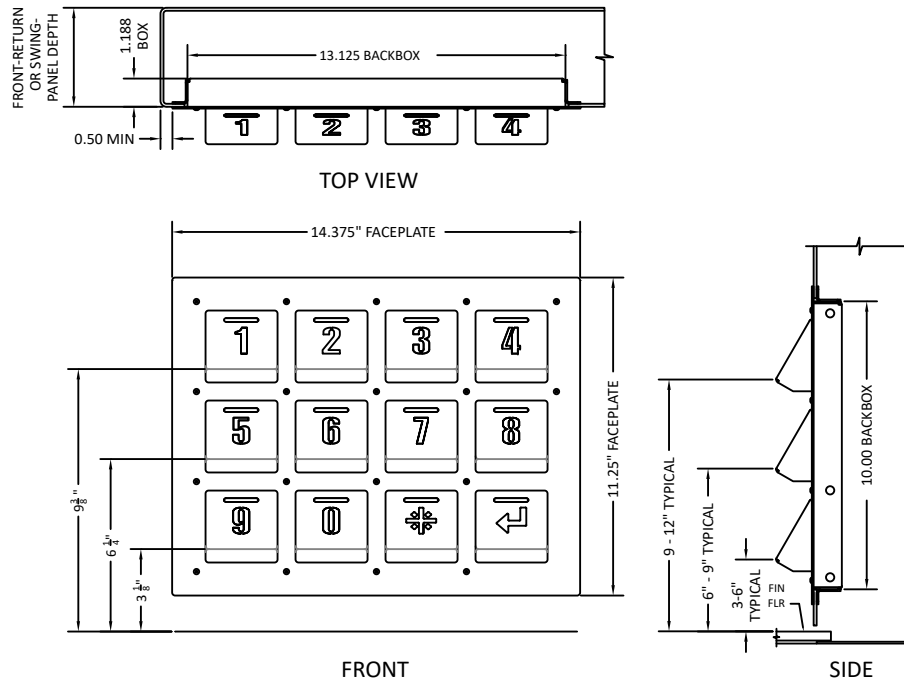
DOUBLE ROW

K2X6

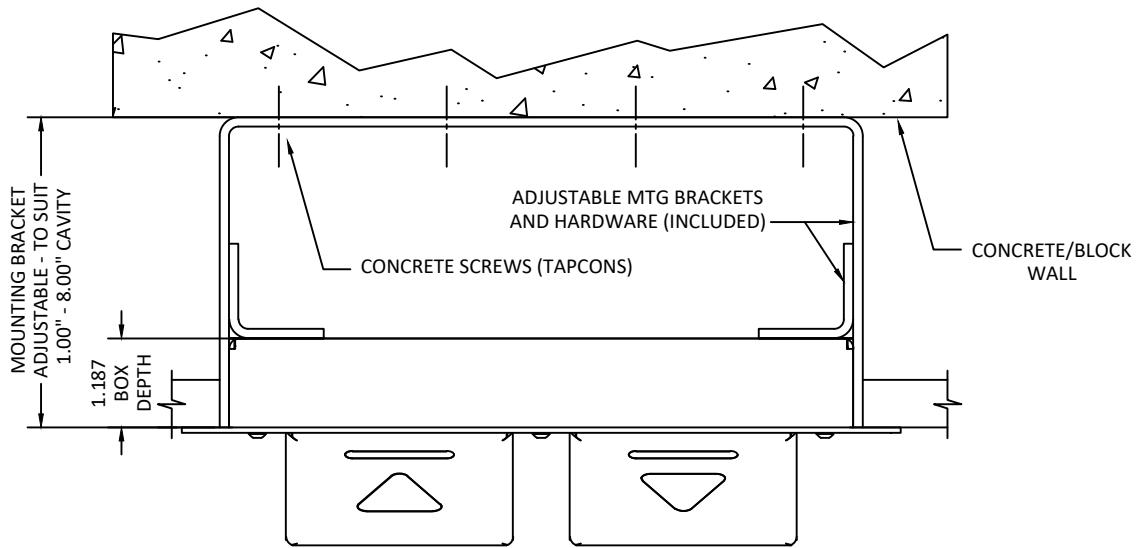


TRIPLE ROW

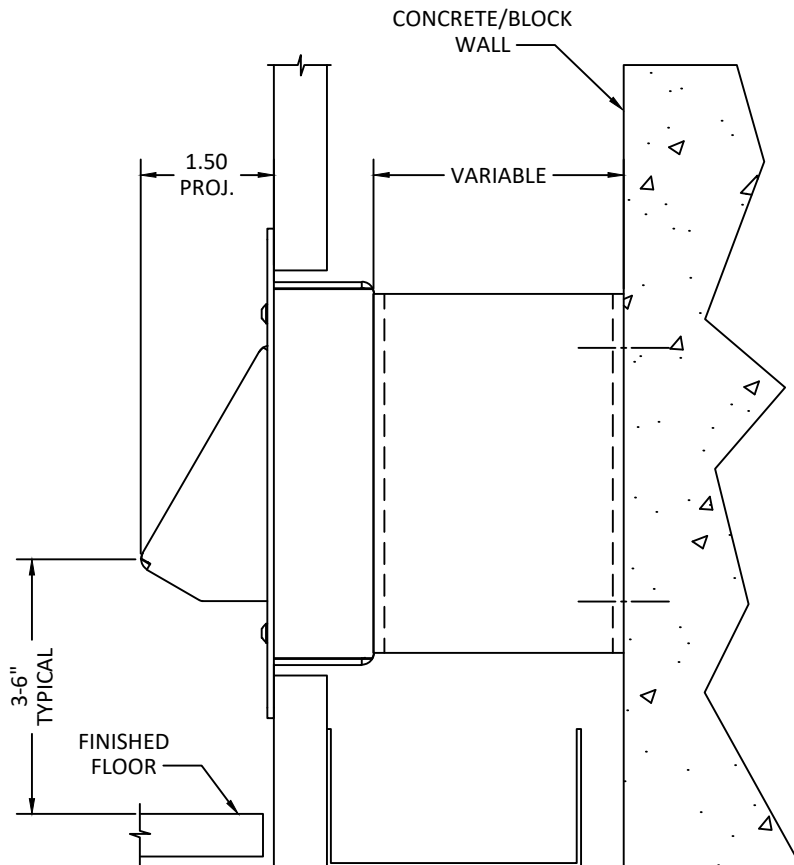
K3X4



HALL STATION FLUSH-MOUNTED DETAILS

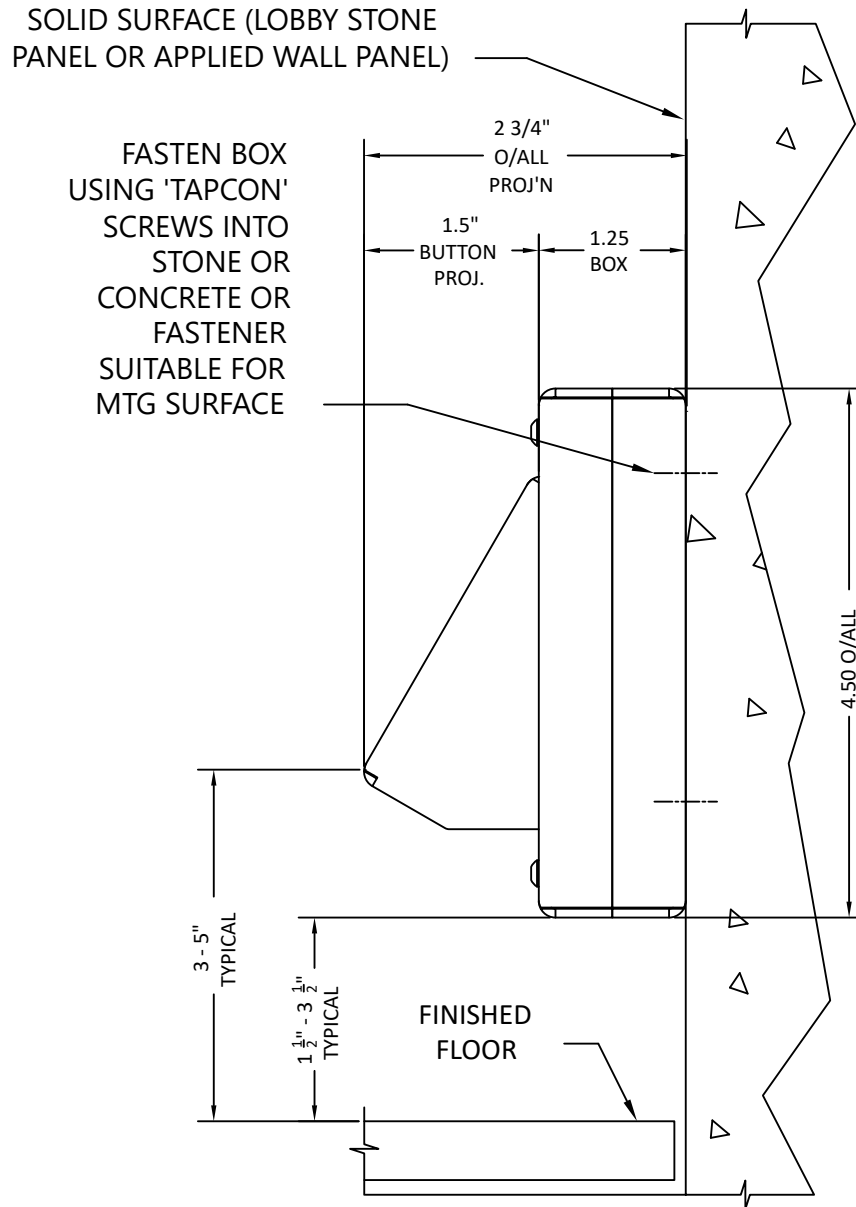


TOP VIEW



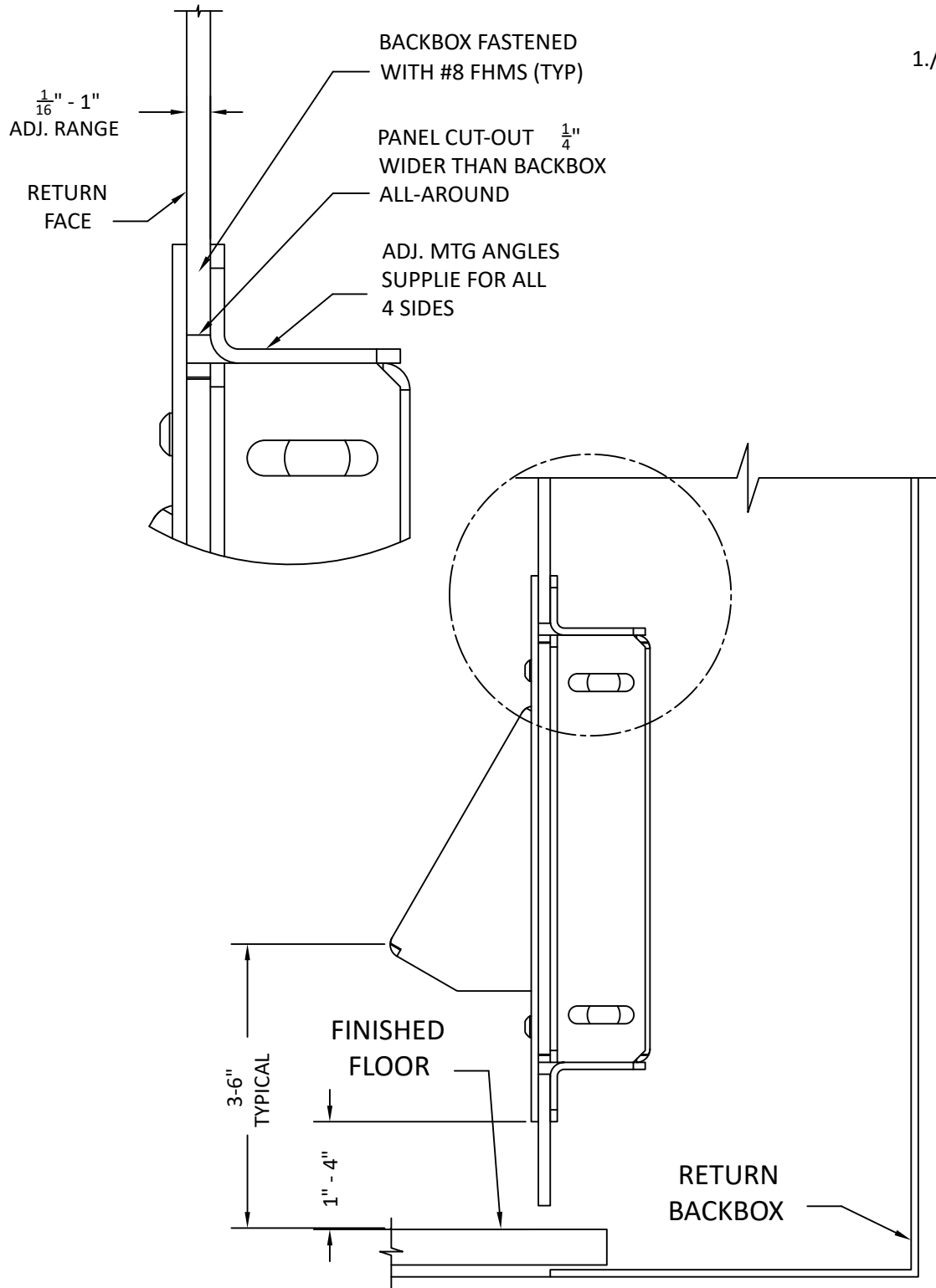
SIDE VIEW
(TYPICAL PARTITION
CONSTRUCTION)

HALL STATION: SURFACE-MOUNTED INSTALLATION DETAILS



SURFACE-MTD - SIDE ELEVATION

CAR STATION: INSTALLATION DETAILS



NOTES:

- 1./ ALL FASTENING HARDWARE PROVIDED
- 2./ CUTTING / DRILLING TEMPLATE PROVIDED

COP FLUSH-MTD - SECTION THRU FRONT RETURN / SWING PANEL